



Product specifications

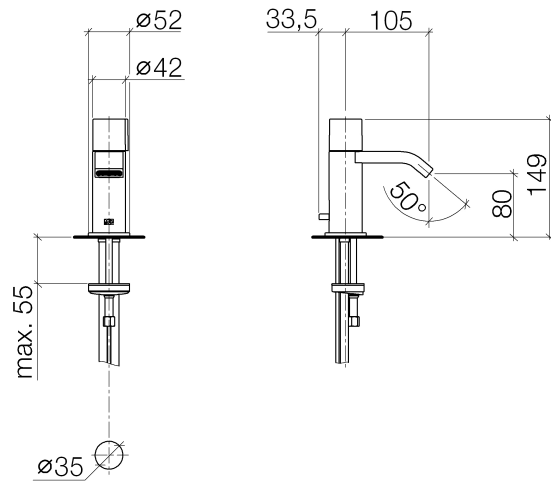
• **4-1/8" Projection**

- US drain with overflow
- Fixed spout
- Rectangular aerated stream
- Total height 5-7/8"
- Height to aerator/spout outlet 3-1/8"
- 1-3/8" hole diameter
- Optional flange Ø 2" included
- Progressive temperature cartridge
- 2x 3/8" US flexible supply lines
- Water flow rate limited to max. 1.2 gpm
- low lead compliant

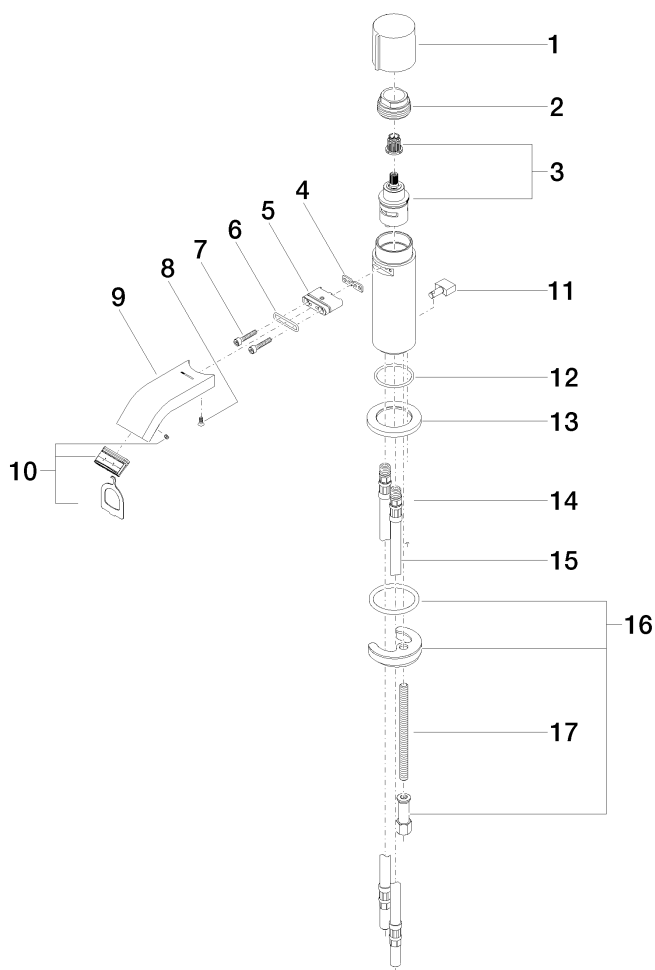
(ADA)

Surfaces

- chrome 33507670-000010
- matt platinum 33507670-060010



Exploded assembly drawing



Order quantity

No.	Article number	Name	Installation quantity
1	092067001ff	handle	1
2	092310065ff	nut	1
3	9090031620090	top	1
4	09140313190	seal	1
5	09110306190	connection	1
6	09141005390	seal	1
7	09303018290	screw	2
8	09303011690	screw	1
9	092822238ff	spout	1
10	9029031180090	aerator	1
11	092067002ff	handle	1
12	09141010490	seal	1
13	092767003ff	rosette	1
14	093109080ff	pull-rod	1
15	0430040450090	hose	2
16	0430110850190	fixing set	1
17	09311101290	pin	1
18	04110102300ff	pop-up waste	1

Bath & Spa

IMO Single-lever lavatory mixer with drain

Article number: 33507670ff0010

