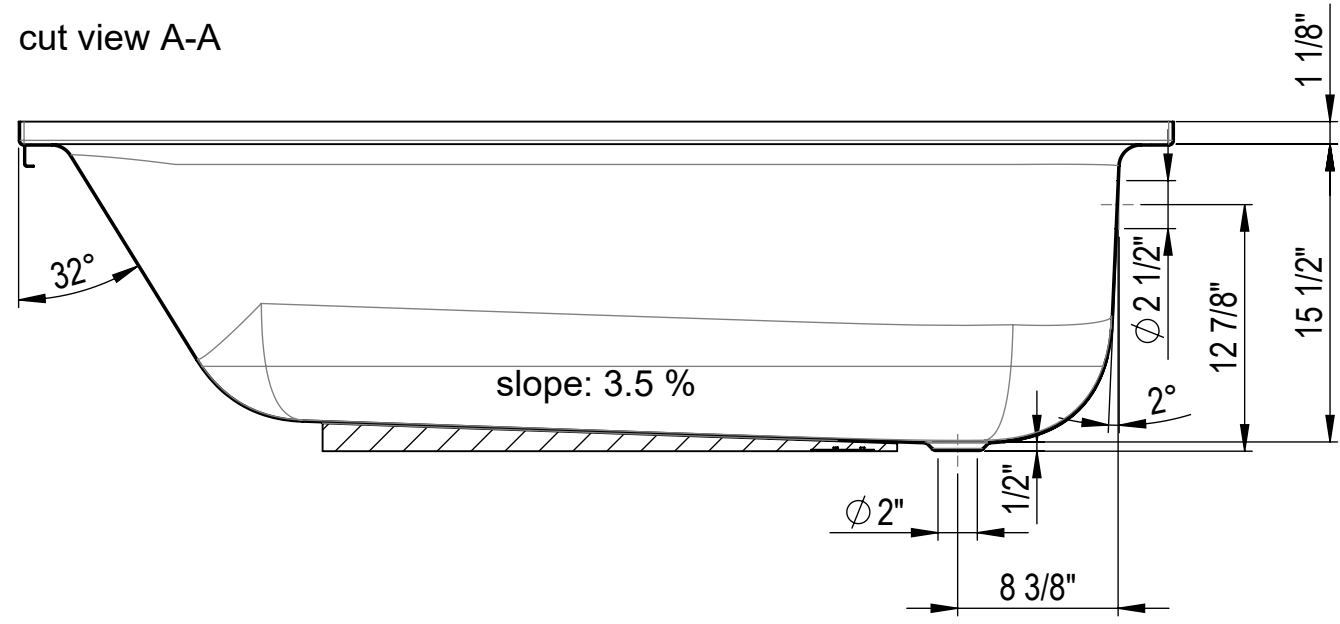
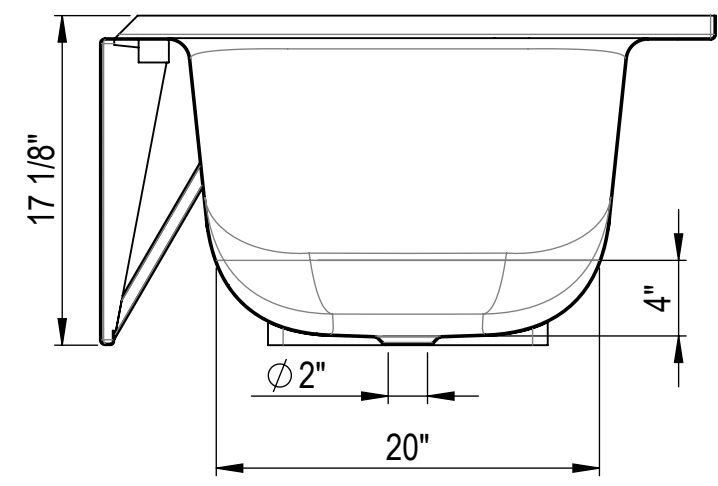


We reserves all rights in this document and it's subject matter. The recipient hereby acknowledges these rights and assures the use of this document only for the purpose it was delivered. © Wilhelm Schmidlin AG

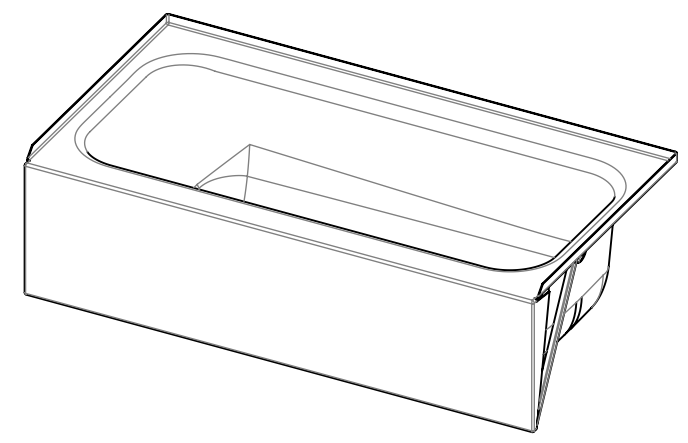
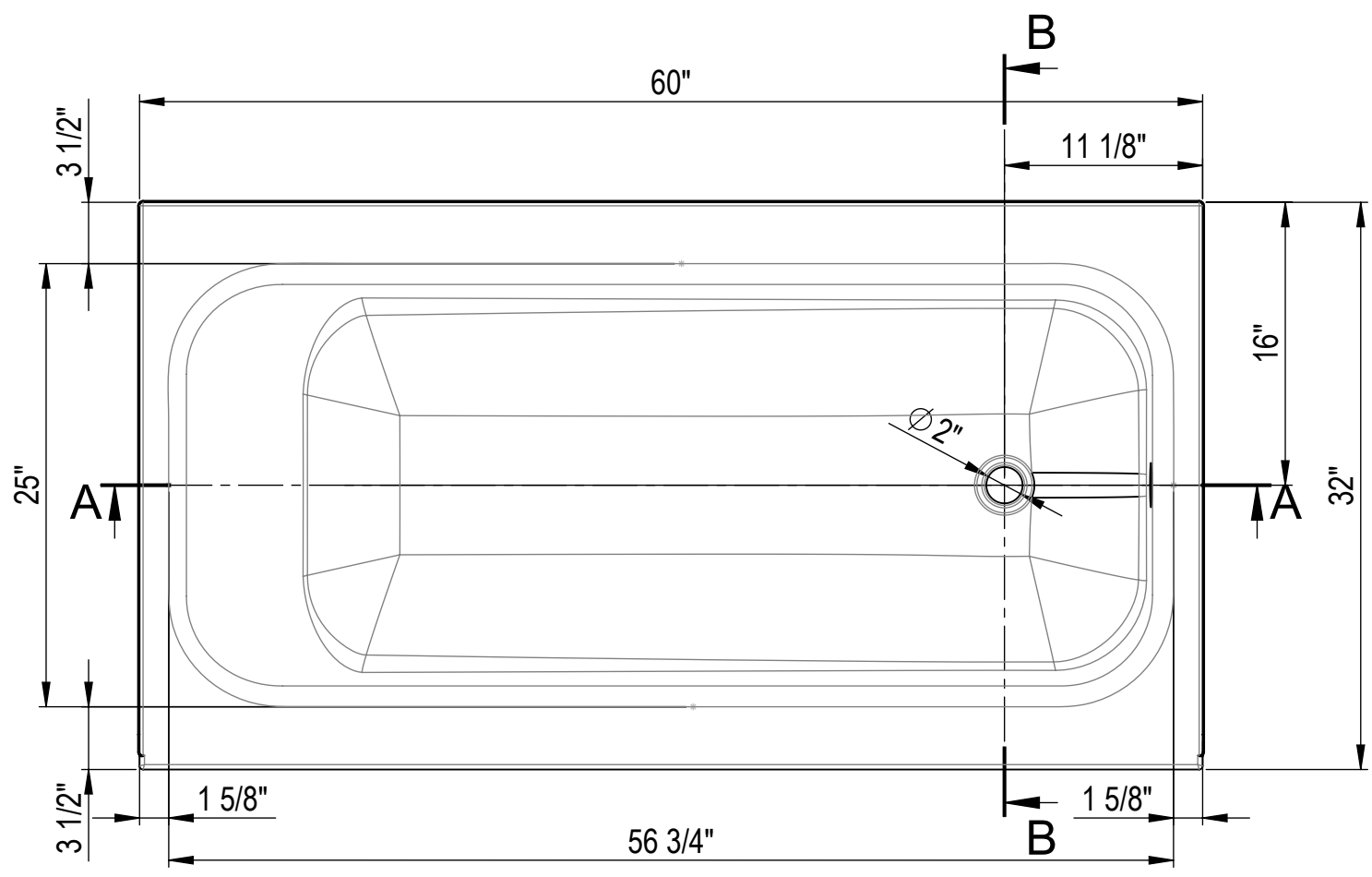
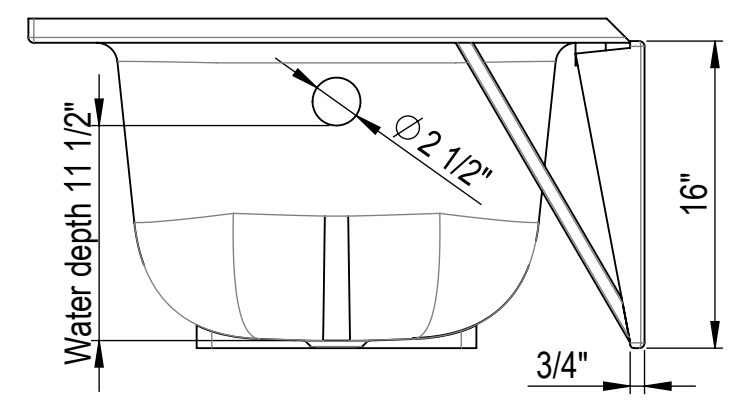
cut view A-A



cut view B-B

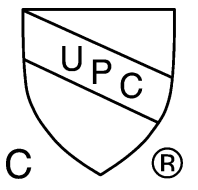


view C



← view c

Material:
 Glazed titanium steel
 Slip resistant surface Schmidlin ANTIGLISS included
 All products are made in the same factory with the same processes.
 The steel grade and surface materials are identical.



Change	a	16.02.2021	LB	MassLasch	-	-	replaced by	24.02.2021	LB
	-	-	-	-	-	-	-	-	-
	-	-	-	-	-	-	-	-	-
	-	-	-	-	-	-	-	-	-
Item no.	2295-0004		Scale	1:10		Format	Sheet/Sheets		
release					A		1/1		
Order no.					Version		01.4.0002832 a		
Schmidlin www.schmidlinusa.com			Schmidlin URBAN CLASSIC 60"x32", tile flanges on 3 sides, right drain			Drawing no. 01.4.0002832 a			