



Solid Plastic Seats Elongated

Institutional • Commercial • Hotel/Motel • Residential

800 SERIES



Available in Fire-Retardant.

820 SERIES



Available in Fire-Retardant.

DETAILS

800TM

Luxury closed front with cover for elongated bowl. Top-mount hinge. For residential and light-duty commercial use.

800STS

Extra heavy-duty, closed front with cover for elongated bowl. Stainless steel hinge.

800STSS

Extra heavy-duty, closed front with cover for elongated bowl. Stainless steel self-sustaining ring.

820TM

Light-duty commercial, open front with cover for elongated bowl. Top-mount hinge. For light-duty commercial use.

820STS

Extra heavy-duty, open front with cover for elongated bowl. Stainless steel hinge.

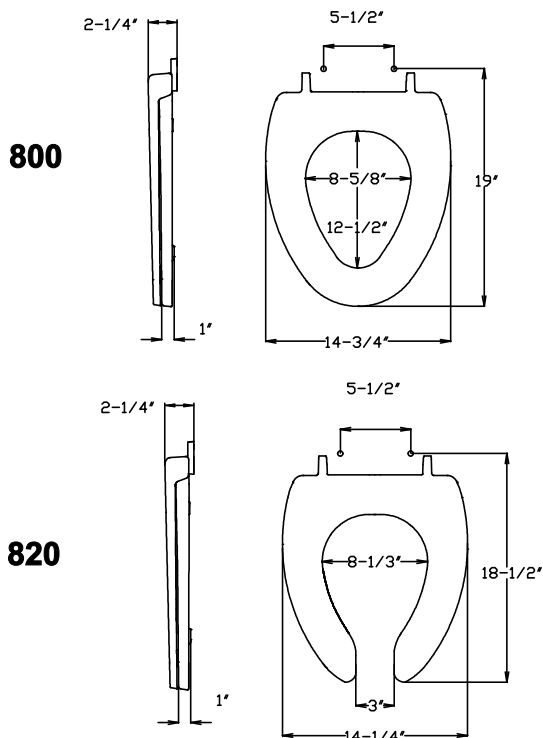
820STSS

Extra heavy-duty, open front with cover for elongated bowl. Self-sustaining, stainless steel hinge.

Standard Features:

- Impact-absorbing hinges
- Extended back with concealed hinge
- Integrally-molded, permanent and sanitary color-keyed bumpers
- Corrosion-free hardware
- Withstands cleansers, strong chemicals

Dimensions shown are nominal and may vary within a range of tolerance.



www.centoco.com

Centoco Customer Service: Canada 519-948-2300 • U.S. 1-800-265-3666