

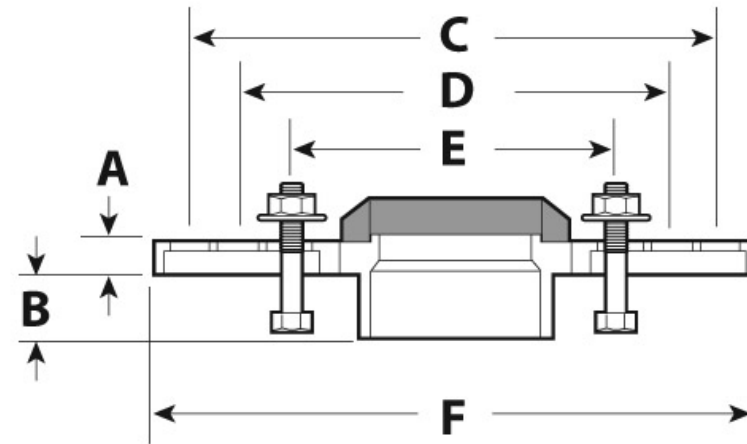


Submittal Sheet

Part Description:
 2" PVC FR-Pro Gray DWV Urinal Flange Kit
 Flange X H

Part Number:
 383663

Approvals and Listings maintained by:
 Canplas Industries Ltd
 Canada: 1-800-461-5300 USA: 1-888-461-5307



Part #	Part UPC	Colour	Size (inches)	Ctn Qty	Ctn Bar Code	Ctn. Wt (Kgs)	Ctn. Wt (lbs)	Skid Cubic (m)	Skid Cubic (ft)	Ctns/Skid
383663	662671380111	GREY	2	20	10662671380118	3.67	8.07	1.79	63.37	72

Dimensions (inches)

A	B	C	D	E	F
0.40	7.05	7.05	5.57	4.01	8.11