

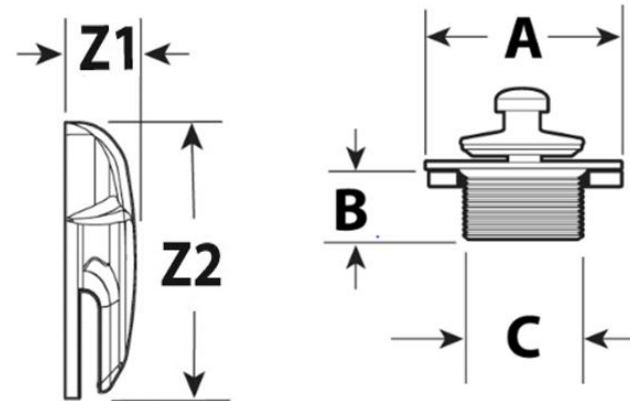


Submittal Sheet

Part Description:
Lift & Turn Trim Kit Brushed Nickel

Part Number:
332809BNL

Approvals and Listings maintained by:
Canplas Industries Ltd
Canada: 1-800-461-5300 USA: 1-888-461-5307



Part #	Part UPC	Colour	Size (inches)	Ctn Qty	Ctn Bar Code	Ctn. Wt (Kgs)	Ctn. Wt (lbs)	Skid Cubic (m)	Skid Cubic (ft)	Ctns/Skid
332809BNL	662671073235	NICKEL		24	10662671073232	4.16	9.17	1.63		72

Dimensions (inches)

A	B	C	Z1	Z2
2.75	1.33	1.87	0.81	3.25