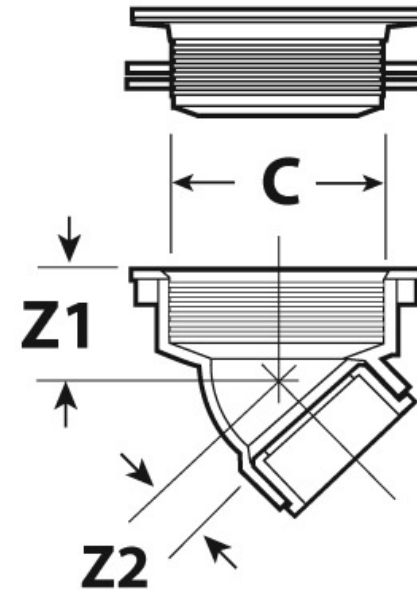


canplas
PLUMBING
Submittal Sheet

Part Description:
1-1/2" or 2" ABS DWV 45 Degree Offset
Shower Drain with Female Threaded
Body, Drain Grate X Hub

Part Number:
332542SS

Approvals and Listings maintained by:
Canplas Industries Ltd
Canada: 1-800-461-5300 USA: 1-888-461-5307



Part #	Part UPC	Colour	Size (inches)	Ctn Qty	Ctn Bar Code	Ctn. Wt (Kgs)	Ctn. Wt (lbs)	Skid Cubic (m)	Skid Cubic (ft)	Ctns/Skid
332542SS	662671330468	BLACK	1-1/2X2	8	10662671330465	2.26	4.97	1.79	63.37	144

Dimensions (inches)

A	B	C	Z1	Z2
1.43	4.26	3.21	2	0.57