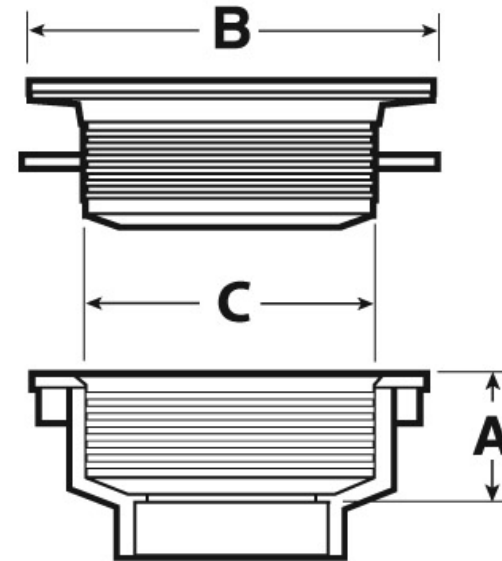


canplas[®]
PLUMBING
Submittal Sheet

Part Description:
2" ABS DWV WHITE Shower Drain,
Female Threaded Body with Snap-In
Stainless Steel Strainer Grate X H

Part Number:
332042SS

Approvals and Listings maintained by:
Canplas Industries Ltd
Canada: 1-800-461-5300 USA: 1-888-461-5307



Part #	Part UPC	Colour	Size (inches)	Ctn Qty	Ctn Bar Code	Ctn. Wt (Kgs)	Ctn. Wt (lbs)	Skid Cubic (m)	Skid Cubic (ft)	Ctns/Skid
332042SS	662671330758	BLACK	2	25	10662671330755	6.67	14.67	1.79	63.37	72

Dimensions (inches)

A	B	C
1.3	4.35	3.21