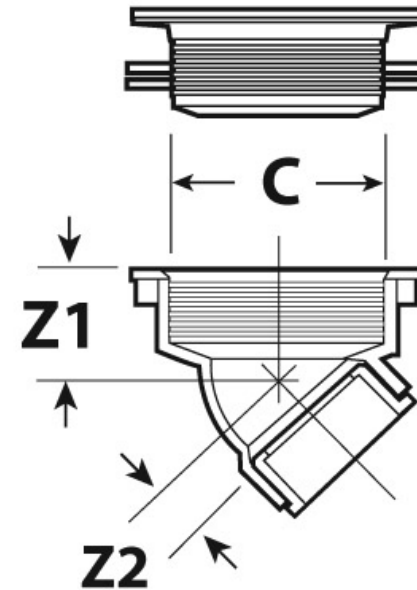


**canplas**<sup>®</sup>  
PLUMBING  
Submittal Sheet

Part Description:  
1-1/2" or 2" PVC WHITE DWV 45  
Degree Offset Drain, Female Threaded  
Body, Stainless Steel Grate X Hub

Part Number:  
322542WSS

Approvals and Listings maintained by:  
Canplas Industries Ltd  
Canada: 1-800-461-5300 USA: 1-888-461-5307



Part #	Part UPC	Colour	Size (inches)	Ctn Qty	Ctn Bar Code	Ctn. Wt (Kgs)	Ctn. Wt (lbs)	Skid Cubic (m)	Skid Cubic (ft)	Ctns/Skid
322542WSS	662671320452	WHITE	1-1/2X2	8	10662671320459	2.68	5.90	1.79	63.37	144

Dimensions (inches)

A	B	C	Z1	Z2
1.43	4.26	3.21	2	0.57