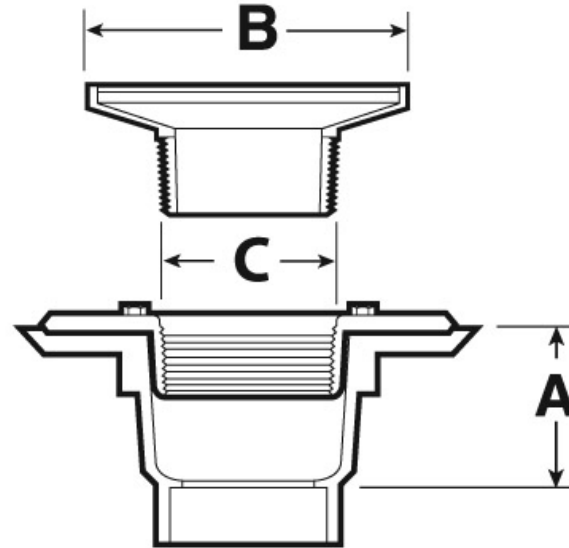


canplas[®]
PLUMBING
Submittal Sheet

Part Description:
2" X 3" PVC WHITE DWV Economy Low
Profile Bolt-Down Shower Drain with
Stainless Steel Strainer X H

Part Number:
321957WSS

Approvals and Listings maintained by:
Canplas Industries Ltd
Canada: 1-800-461-5300 USA: 1-888-461-5307



Part #	Part UPC	Colour	Size (inches)	Ctn Qty	Ctn Bar Code	Ctn. Wt (Kgs)	Ctn. Wt (lbs)	Skid Cubic (m)	Skid Cubic (ft)	Ctns/Skid
321957WSS	662671320674	WHITE	2X3	20	10662671320671	9.00	19.80	1.79	63.37	72

Dimensions (inches)

A	B	C
2.10	4.24	2.31