

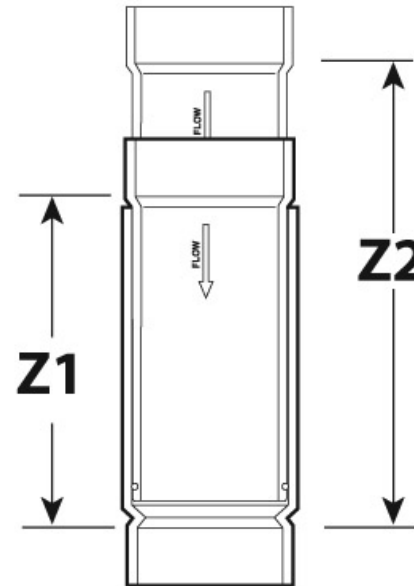


Submittal Sheet

Part Description:  
2" PVC DWV Type 1 Expansion Joint, H X H

Part Number:  
213812ABC

Approvals and Listings maintained by:  
Canplas Industries Ltd  
Canada: 1-800-461-5300 USA: 1-888-461-5307



Part #	Part UPC	Colour	Size (inches)	Ctn Qty	Ctn Bar Code	Ctn. Wt (Kgs)	Ctn. Wt (lbs)	Skid Cubic (m)	Skid Cubic (ft)	Ctns/Skid
213812ABC	662671201829	GREY	2X2	15	30662671201820	5.85	12.87	1.79	63.37	72

Dimensions (inches)

Z1	Z2
5.35	8.35