

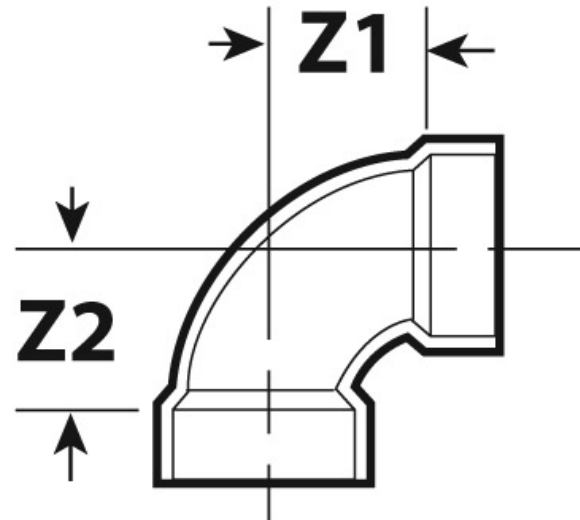


Submittal Sheet

Part Description:  
 3" PVC DWV 90 Degree Long Turn Bend or Elbow, H X H

Part Number:  
 202253L

Approvals and Listings maintained by:  
 Canplas Industries Ltd  
 Canada: 1-800-461-5300 USA: 1-888-461-5307



Part #	Part UPC	Colour	Size (inches)	Ctn Qty	Ctn Bar Code	Ctn. Wt (Kgs)	Ctn. Wt (lbs)	Skid Cubic (m)	Skid Cubic (ft)	Ctns/Skid
202253L	662671200365	GREY	3X3	15	10662671200362	7.05	15.51	1.86	65.82	32

Dimensions (inches)

Z1	Z2
3.05	3.10