

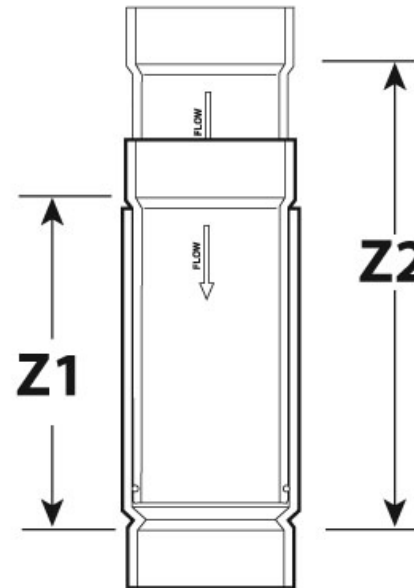


Submittal Sheet

Part Description:  
2" ABS DWV Type 1 Expansion Joint, H X H

Part Number:  
113812ABC

Approvals and Listings maintained by:  
Canplas Industries Ltd  
Canada: 1-800-461-5300 USA: 1-888-461-5307



Part #	Part UPC	Colour	Size (inches)	Ctn Qty	Ctn Bar Code	Ctn. Wt (Kgs)	Ctn. Wt (lbs)	Skid Cubic (m)	Skid Cubic (ft)	Ctns/Skid
113812ABC	662671102980	BLACK	2X2	15	50662671102985	4.74	10.43	1.79	63.37	72

Dimensions (inches)

Z1	Z2
5.34	8.34