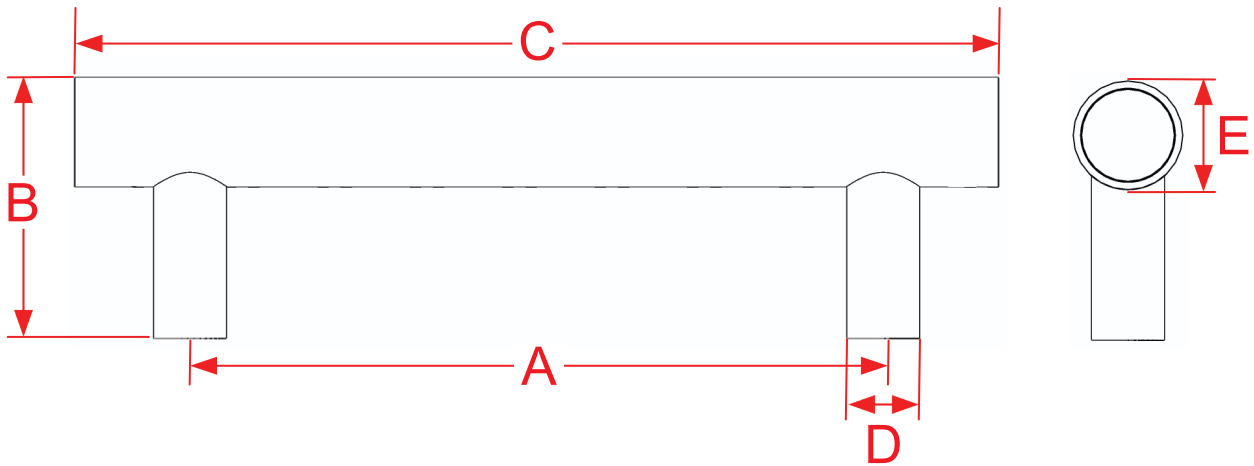


# 500 Series Cabinet Door & Appliance Pulls

Finishes for Life  
TARNISH-FREE GUARANTEED



	A	B	C	D	E
Part #	Center to Center	Projection	Overall	Base	Diameter
500-1H	1.5000"	1.2500"	2.5000"	0.3125"	0.5000"
500-2H	2.5000"	1.2500"	3.5000"	0.3125"	0.5000"
500-3	3.0000"	1.2500"	4.0000"	0.3125"	0.5000"
500-3H	3.5000"	1.2500"	4.5000"	0.3125"	0.5000"
500-6	6.0000"	1.2500"	8.0000"	0.3125"	0.5000"
500-8	8.0000"	1.2500"	10.0000"	0.3125"	0.5000"
Custom Sizing Available					



Manufacturing Fine Architectural Hardware  
in the USA Since 1927



Copyright 2015  
Colonial Bronze Company  
All rights reserved  
[www.colonialbronze.com](http://www.colonialbronze.com) -  
860.489.9233