

MECHANICAL FAUCETS

982-VP909CAGCP

Ball Valves



Product Type

Deck Mounted Multiple Ball Valves Turret with Two Ball Valves @ 90° with Check

Features & Specifications

- Multiple Ball Valves
- Full Flow Nozzle
- 3/8" NPT Female Thread Inlet
- May Be Used with Most Laboratory Gases
- Anti-Rotational Body Deck Pin to Prevent Turning
- 909 Valve is Certified for Gas Service per ANSI Z21.15b-2006/CSA 9.1b-2006 by the Canadian Standards Association

Performance Specification

- Compatibility by Service (Maximum Pressure):
 - Acetylene (7.25 PSI)
 - Ammonia (7.25 PSI)
 - Argon (7.25 PSI)
 - Butane (7.25 PSI)
 - Carbon Dioxide (7.25 PSI)
 - Carbon Monoxide (7.25 PSI)
 - Helium (7.25 PSI)
 - Hydrogen (7.25 PSI)
 - Natural Gas (7.25 PSI)
 - Methane (7.25 PSI)
 - Nitrogen (7.25 PSI)
 - Propane (7.25 PSI)
 - Air (125 PSI)
 - Compressed Air (125 PSI)
 - Cold Water (125 PSI)

Warranty

- Lifetime Limited Faucet Warranty
- 5-Year Limited Cartridge Warranty
- 1-Year Limited Finish Warranty

Job Name _____

Item Number _____

Section/Tag _____

Model Specified _____

Architect _____

Engineer _____

Contractor _____

Submitted as Shown Submitted with Variations

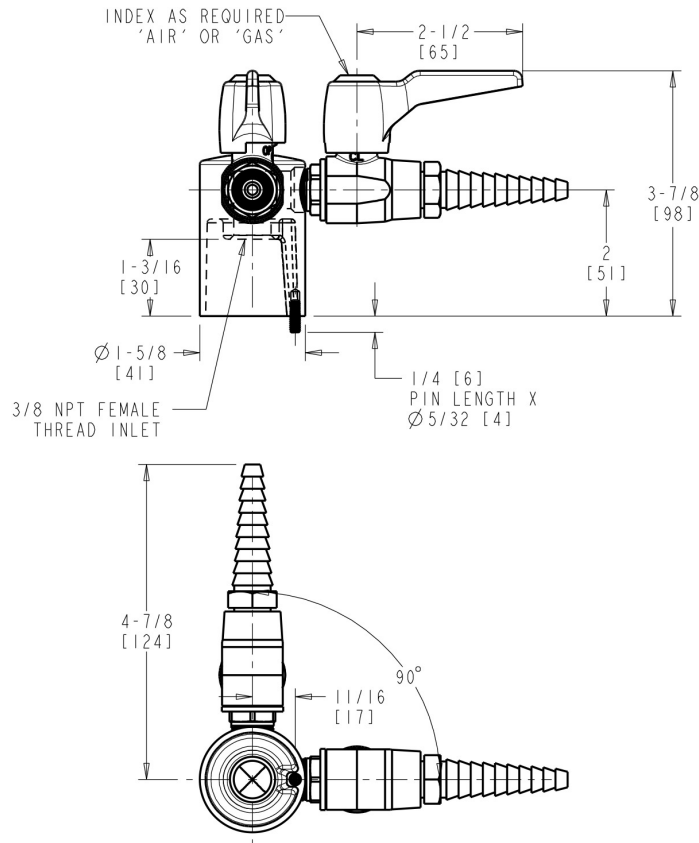
Date _____



2100 South Clearwater Drive
Des Plaines, IL
P: 847/803-5000
F: 847/803-5454
Technical: 800/TEC-TRUE
www.chicagofaucets.com

Architect/Engineer Specification

Chicago Faucets No. 982-VP909CAGCP, Dual Ball Valves with Turret and Check, deck-mounted, valves mounted at 90°. Chrome plated. Serrated, full-flow laboratory nozzle. 3/8" NPT female thread inlet. May be used with most laboratory gases. Anti-rotational deck pin in faucet body prevents turning. 909 Valve is Certified for Gas Service per ANSI Z21.15b-2006/CSA 9.1b-2006 by the Canadian Standards Association.



Operation and Maintenance

Installation should be in accordance with local plumbing codes. Flush all pipes thoroughly before installation. After installation, remove spout outlet or flow control and flush faucet thoroughly to clear any debris. Care should be taken when cleaning the product. Do not use abrasive cleaners, chemicals or solvents as they can result in surface damage. Use mild soap and warm water for cleaning and protecting the life of Chicago Faucet products. For specific operation and maintenance refer to the installation instructions and repair parts documents that are located at www.chicagofaucets.com.

Chicago Faucets, member of the Geberit Group, is the leading brand of commercial faucets and fittings in the United States, offering a complete range of products for schools, laboratories, hospitals, office buildings, food service, airports and sport facilities. Call 1.800.TECTRUE or 1.847.803.5000 Option 1 for installation or other technical assistance.

