

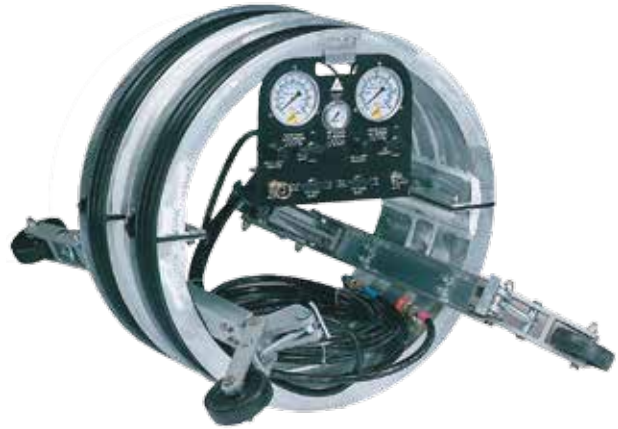
Air-Loc® Joint Testers

Fast, safe and easy to use, a five-second test determines joint integrity. Cherne's Air-Loc® Joint Tester is designed to test large diameter, installed, pre-cast concrete pipe as described in ASTM C1103.

Ready to test with water or air straight from Cherne's factory—no modifications are needed—the Air-Loc® Joint Tester also allows you to pre-test before backfilling. Capable of testing to 10 psi air or 50 psi water.

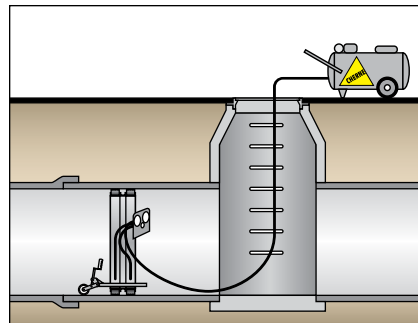
Features:

- Lightweight aluminum design allows for easy assembly in manholes
- Independent, adjustable wheels—easy to move
- Quick-connect control panel is simple to install and remove, plus the top-mounting feature won't interfere with laser usage
- Available with or without control panel and wheel kit
- Replacement end elements are available
- Recommended for testing pipe 21" and larger



Part Number	Description			
Full Joint Tester	Nominal Size	Product Diameter	Less Wheels & Control Panel	Replacement End Element
009018	21"	19"	012018	098485
009028	24"	22"	012028	091456
009038	27"	25"	012038	091464
009048	30"	28"	012048	063339
009058	33"	31"	012058	063347
009068	36"	34"	012066	063355
009078	39"	37"	012078	070319
009088	42"	40"	012088	063363
009098	48"	46"	012098	063371
009108	54"	52"	012148	063398
009118	60"	58"	012118	063401
009128	66"	64"	012128	063428
009138	72"	70"	012138	063436
009158	78"	76"	012158	063444
009168	84"	82"	012168	063452
009178	90"	88"	012178	063460
009188	96"	94"	012188	063479
009198	102"	100"	012198	063487
009208	108"	106"	012208	063495
009228	120"	118"	012228	063517

Pipe Joint Test



Accessories/Replacement Parts

Part Number	Description
010048	Control Panel
026350	0-10 PSI 4" Retard Gauge for Air Test
087602	0-60 PSI 4" Gauge for Water Test
014838	0-100 PSI 2" Gauge For End Elements
007892	Three way valve
296643	Regulator
086363	21"-36" Wheel Assembly
067008	39"-54" Wheel Assembly
093661 0A	60"-90" Wheel Assembly
024358	96" and up Wheel Assembly
010628	27"-54" Frame Gasket
010638	60"-120" Frame Gasket
013008	12' Panel to Joint Tester Hose

Custom Sizes Available