



California Faucets®

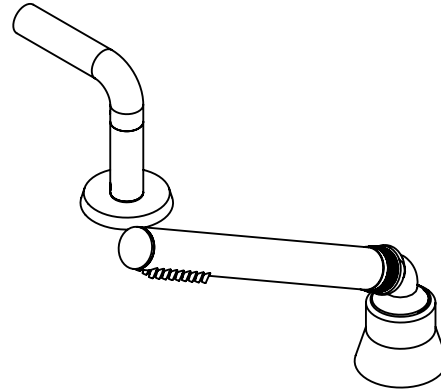
# Tamalpais™

## DECK TRIM DIVERTER

### Features

- Available in 28 finishes including 13 PVD finishes
- All brass construction
- Handshower: 1/2" MIP inlet with self-clean rubber jets
- Max flow rates: 2.0 gpm (7.6 L/min) or 1.8 gpm (6.8 L/min)
- Handshower elbow: 1/2" FIP swivel nut with 1/2" MIP inlet
- Hose: 84" Black poly braided hose. Provides durable, quiet & no damage to trim finish during operation
- Anti-siphon diverter valve (DDV-R) sold separately

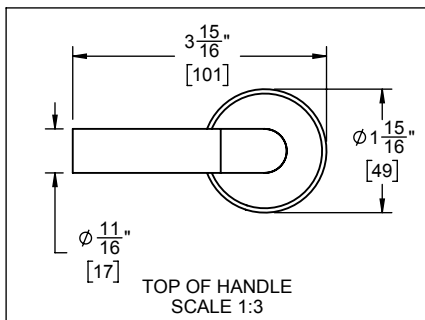
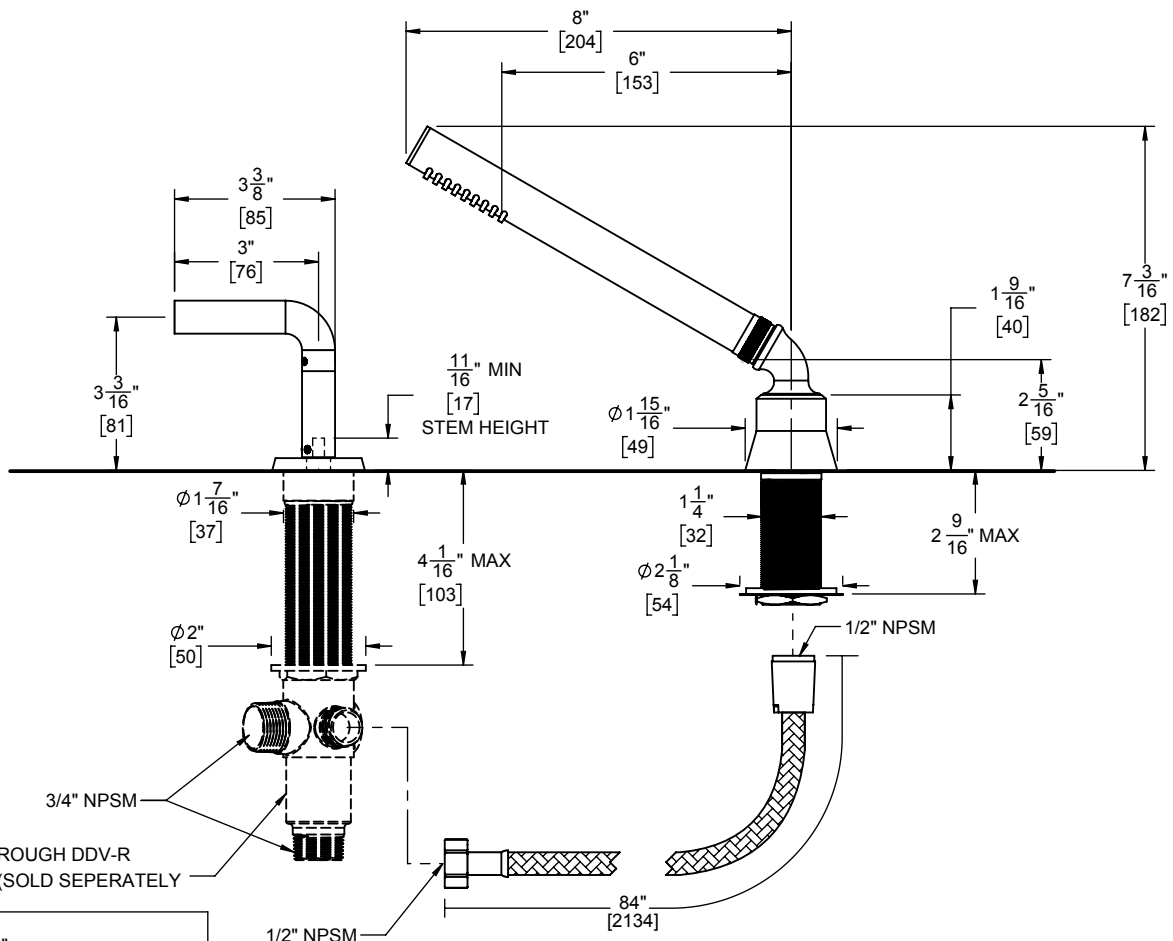
TO-74.62.20  
TO-74.62.18



### Codes/Standards Applicable

Product meets or exceeds the following:

- ASME A112.18.1/CSA B125.1
- CEC (1.8 gpm)
- DOE (2.0 & 1.8 gpm)
- Commonwealth of MA
- EPA WaterSense handshower (2.0 gpm)
- ADA Compliant



THROUGH-HOLE SPECIFICATIONS		
	MIN	RECOMMENDED
SHOWER:	Ø 1-1/4" [32]	Ø 1-1/4" [32]
VALVE:	Ø 1-7/16" [37]	Ø 1-1/2" [38]

DIMENSIONS SHOWN TO NEAREST 1/16"  
[DIMENSIONS SHOWN TO NEAREST 1mm]

SPECIFICATIONS SUBJECT TO CHANGE WITHOUT NOTICE