



### Features

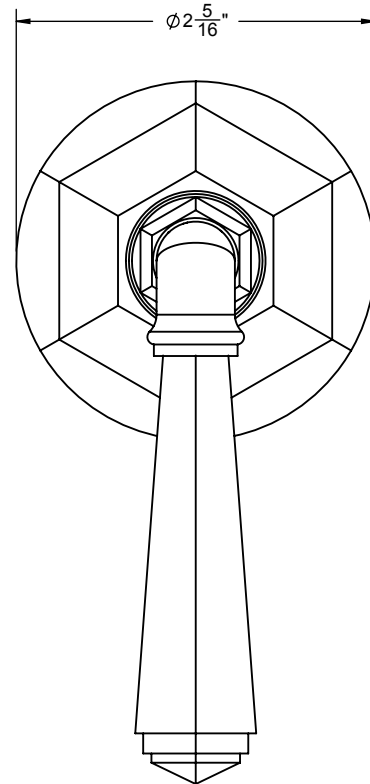
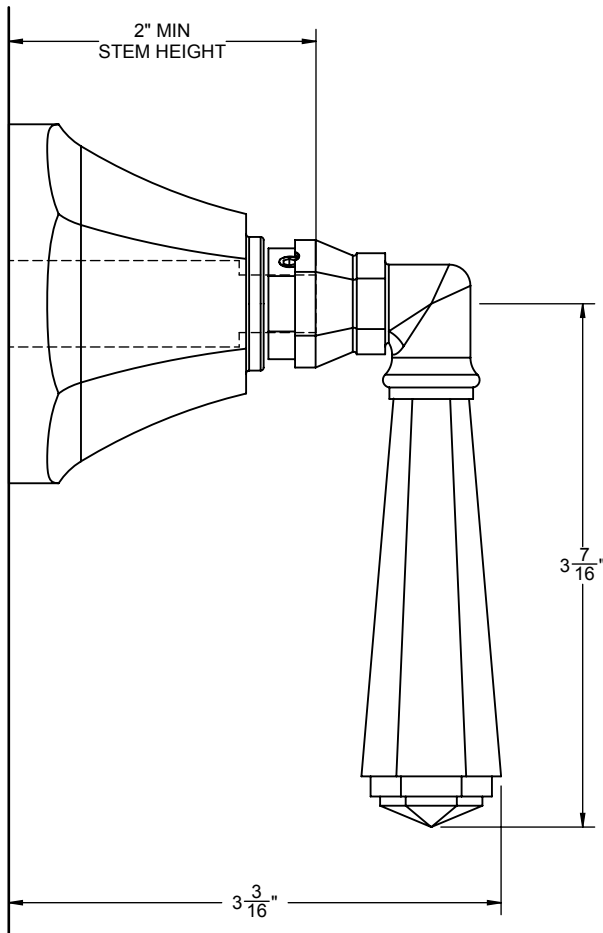
- Base diameter 2-5/16"
- Use for wall stop, wall diverter or deck diverter
- Rough valve (50W-R, 75-W-R, WDV-R, DDV-R) sold separately
- All brass construction
- Over 30 finishes including 13 PVD finishes



### Codes/Standards Applicable

Product meets or exceeds the following:

- ASME A112.18.1/CSA B125.1
- ADA compliant



THROUGH-HOLE SPECIFICATIONS		
MIN	RECOMMENDED	MAX
Ø 1"	Ø 1-3/8"	Ø 1-1/2"