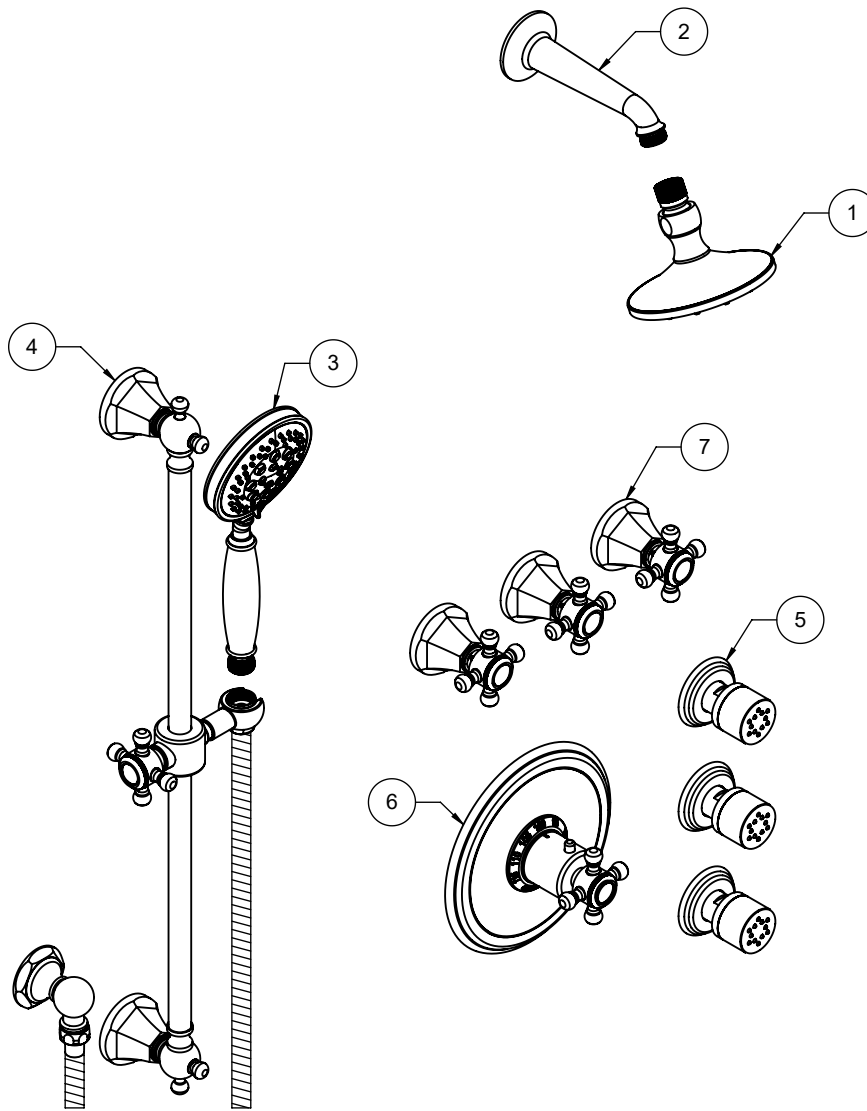




"ZZ" denotes finish, "FR" denotes flow rate

| Item | Model        | Description                             | Links                               |
|------|--------------|---|-------------------------------------|
| 1    | SH-43.FR-ZZ  | 5" 42 Jet Showerhead                    | <a href="#">Specification Sheet</a> |
| 2    | SH-01.6-ZZ   | One Piece 6" Shower Arm & Flange        | <a href="#">Specification Sheet</a> |
| 3    | HS-073.FR-ZZ | 4-1/8" Brass Multi-Function Handshower  | <a href="#">Specification Sheet</a> |
| 4    | 9129-47-ZZ   | Slide Bar Handshower Kit                | <a href="#">Specification Sheet</a> |
| 5    | BS-60-ZZ     | Self-Cleaning Jet Body Spray            | <a href="#">Specification Sheet</a> |
| 6    | TO-THN-47-ZZ | StyleTherm® 3/4" Thermostatic Trim Only | <a href="#">Specification Sheet</a> |
| 7    | TO-47-W-ZZ   | Wall or Deck Handle Trim Only           | <a href="#">Specification Sheet</a> |





California Faucets®

# Showerhead

4-13/16" Diameter Spray Head with 42 Jets

## Features

- Available in 28 finishes including 13 PVD finishes
- All brass construction
- Self-cleaning rubber jets
- Replace .FR with desired max flow rate:  
SH-43.25 for 2.5 gpm  
SH-43.18 for 1.8 gpm

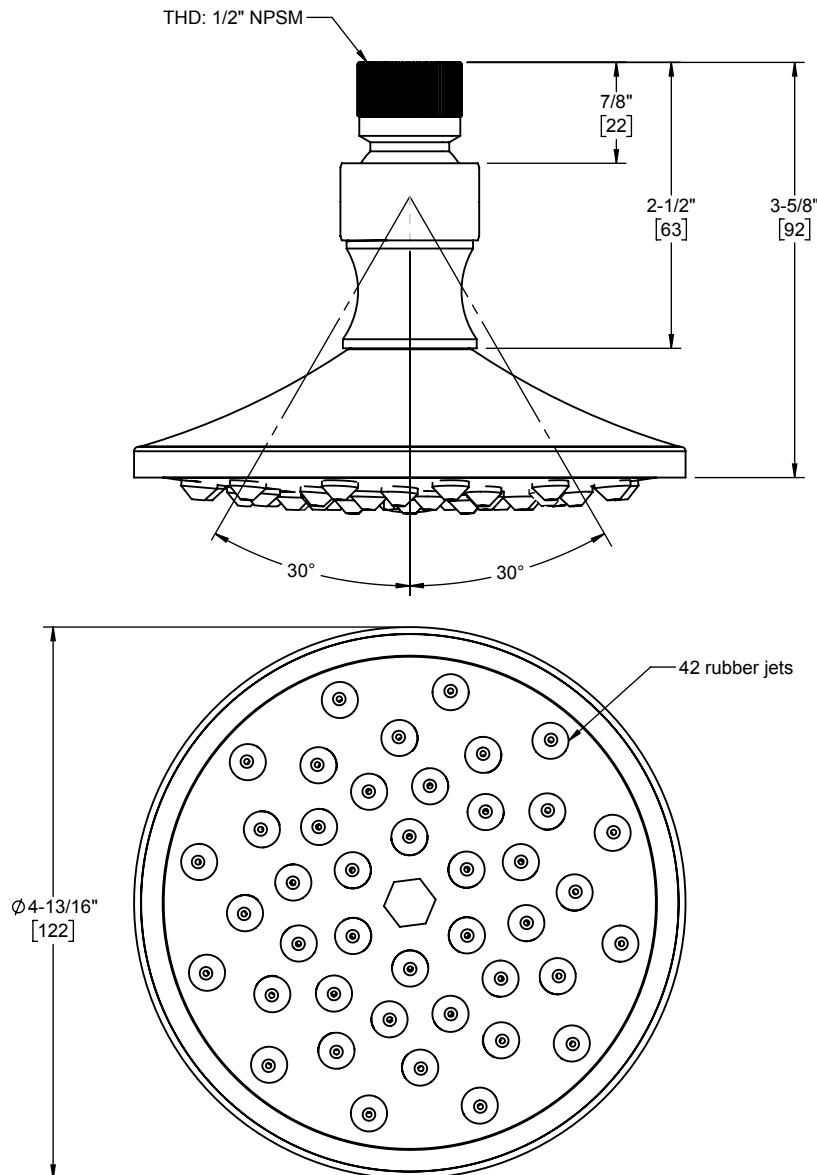
SH-43.25  
SH-43.18



## Codes/Standards Applicable

Product meets or exceeds the following:

- ASME A112.18.1/CSA B125.1
- CEC (1.8 gpm)
- DOE (2.5 & 1.8 gpm)
- Commonwealth of MA





California Faucets®

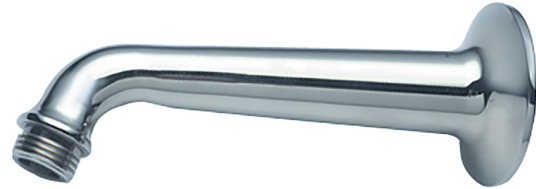
# Shower Arm

One Piece 6" Shower Arm & Flange

SH-01.6

## Features

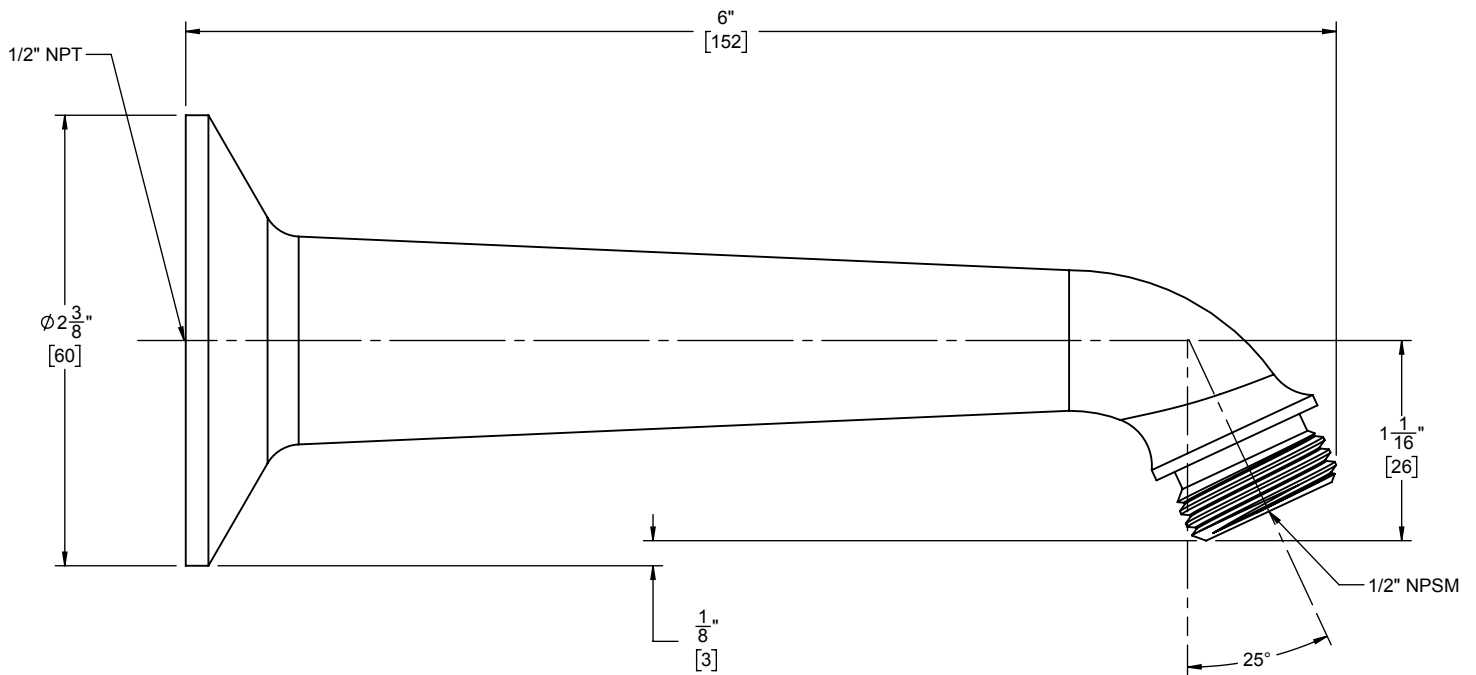
- Available in 28 finishes including 13 PVD finishes
- All brass construction



## Codes/Standards

Product meets or exceeds the following:

- ASME A112.18.1/CSA B125.1





California Faucets®

# Handshower

4-1/8" MULTI-FUNCTION TRADITIONAL HANDSHOWER

## Features

- 1/2" MIP inlet
- 3 function handshower: rain, air, & massage
- Self cleaning rubber jets
- Brass body
- 4-1/8" diameter, gray face
- Replace .FR with desired max flow rate:  
     HS-073.25 for 2.5 gpm  
     HS-073.20 for 2.0 gpm  
     HS-073.18 for 1.8 gpm
- Over 28 finishes including 13 PVD finishes

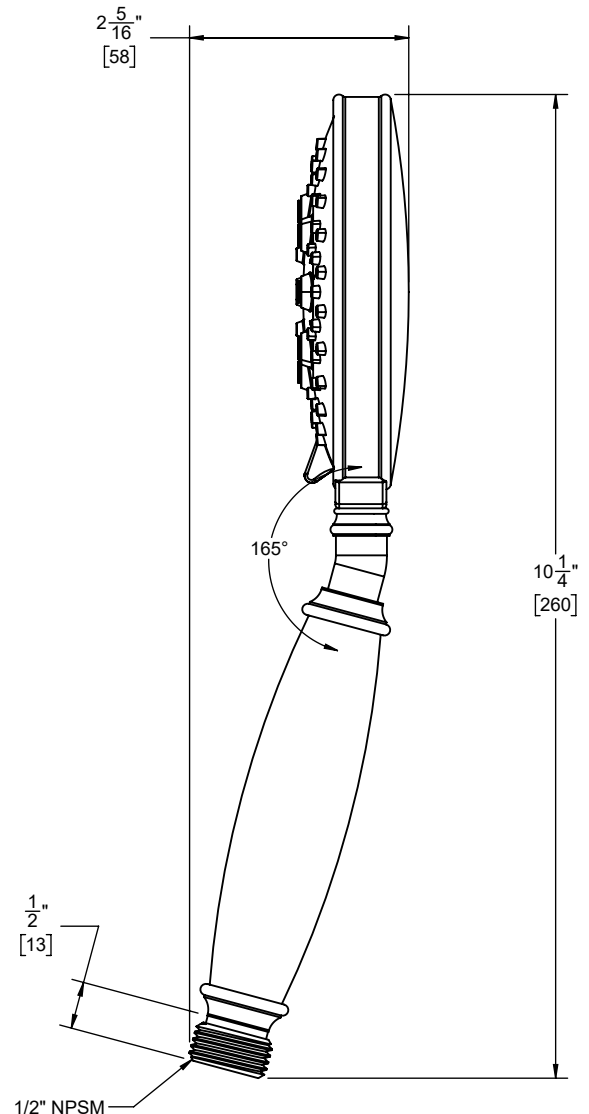
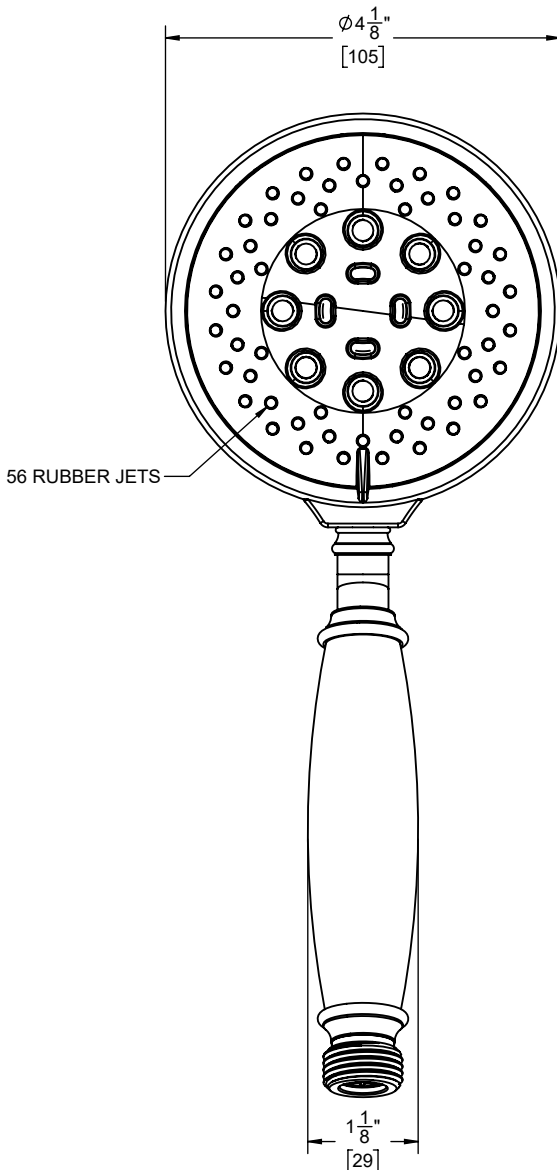
## Codes/Standards Applicable

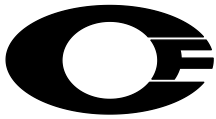
Product meets or exceeds the following:

- ASME A112.18.1/CSA B125.1
- CEC (1.8 gpm)
- DOE (1.8, 2.0, & 2.5 gpm)
- Commonwealth of MA
- EPA WaterSense (2.0 gpm)



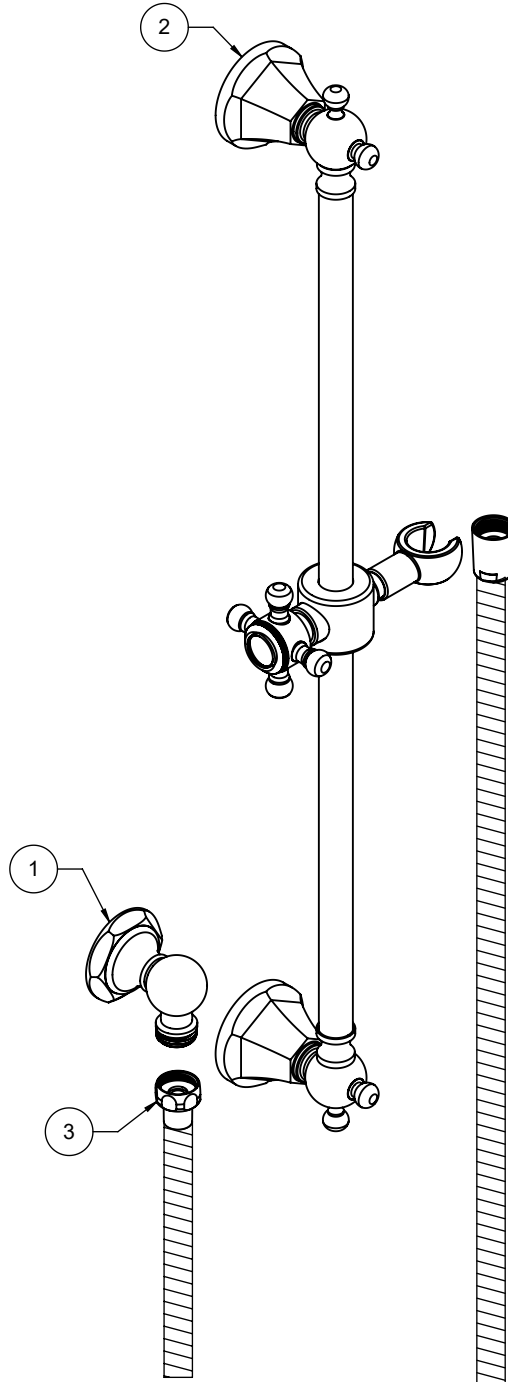
HS-073.18  
HS-073.20  
HS-073.25





"ZZ" denotes finish

| Item | Model       | Description                   | Links                               |
|------|-------------|-------------------------------|-------------------------------------|
| 1    | SH-10-47-ZZ | Decorative Supply Elbow       | <a href="#">Specification Sheet</a> |
| 2    | SB-47-ZZ    | Wall Mounted Slide Bar        | <a href="#">Specification Sheet</a> |
| 3    | HS-68-ZZ    | 68" Brass Hose for Handshower | <a href="#">Specification Sheet</a> |





California Faucets®

# Body Sprays

## Self-Cleaning Jet Body Spray

### Features

- Available in 28 finishes including 13 PVD finishes
- All brass construction

BS-60  
BS-65  
BS-70  
BS-77  
BS-85

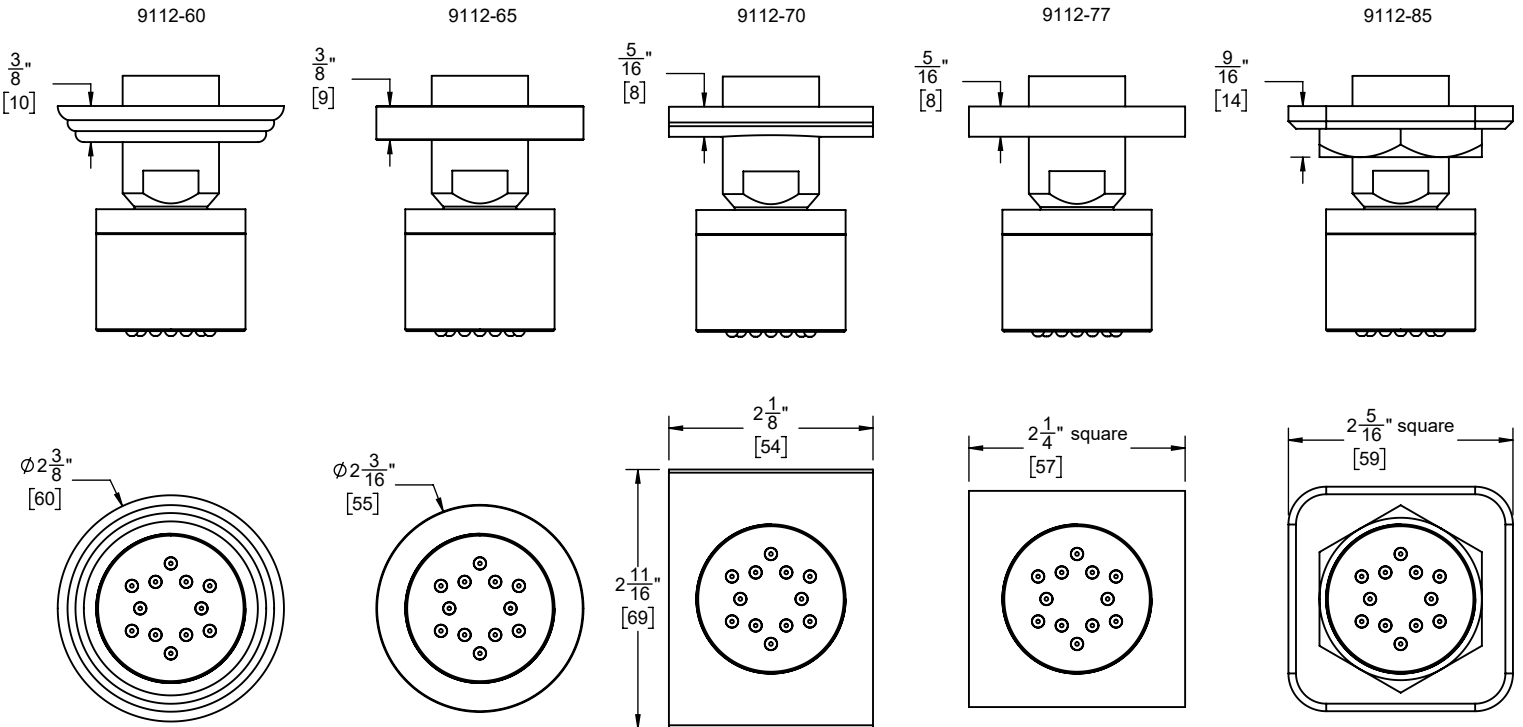
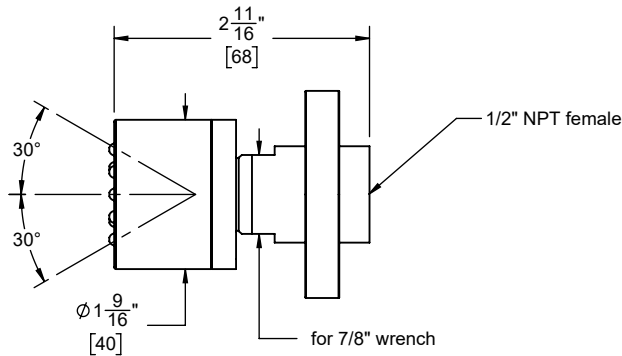


BS-65-PC shown

### Codes/Standards

Product meets or exceeds the following:

- ASME A112.18.1/CSA B125.1





California Faucets®

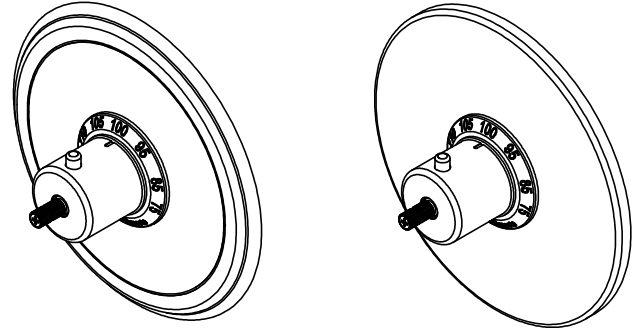
# StyleTherm®

## 3/4" Thermostatic Valve Trim Only

### Features

- Over 30 finishes including 11 PVD finishes
- All brass construction
- Contemporary or traditional faceplate
- Engraved brass temperature ring
- 100°F safety stop button with manual override
- Handles to match all California Faucets series  
See [www.calfaucets.com](http://www.calfaucets.com) for complete selection

### TO-THN-XX



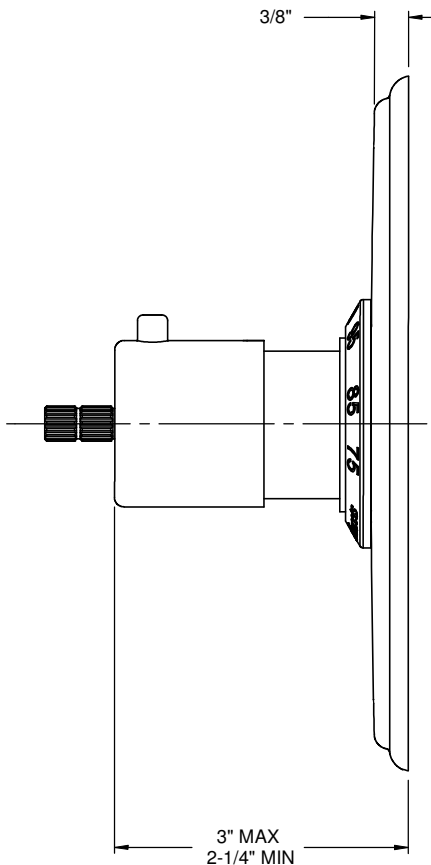
### Codes/Standards Applicable

Specified model meets or exceeds the following:

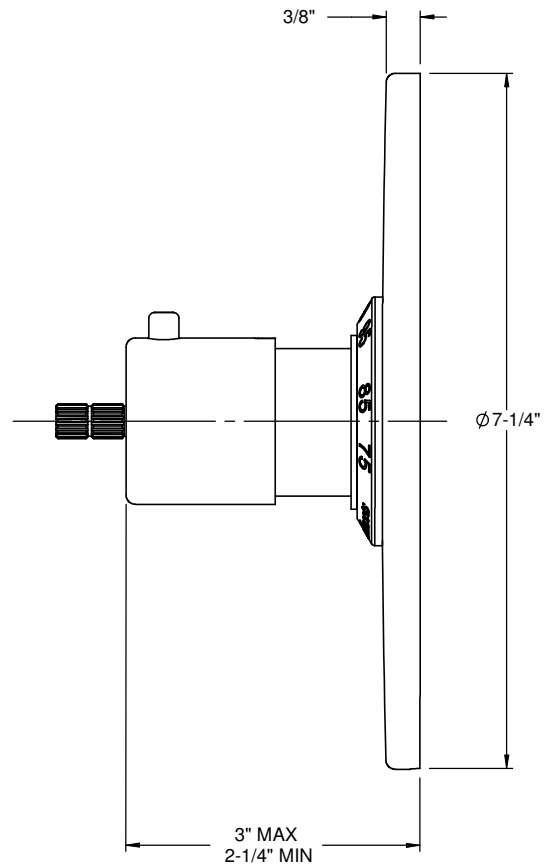
- ASME A112.18.1-2005/CSA B125.1-05
- ASSE 1016
- ADA (with lever handles)
- Listed IAPMO/cUPC®

XX = Series Handle

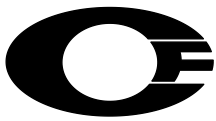
#### Traditional Faceplate



#### Contemporary Faceplate



ALL DIMENSIONS SHOWN TO NEAREST 1/16"



California Faucets®

# Venice

WALL OR DECK HANDLE TRIM ONLY

TO-47-W

### Features

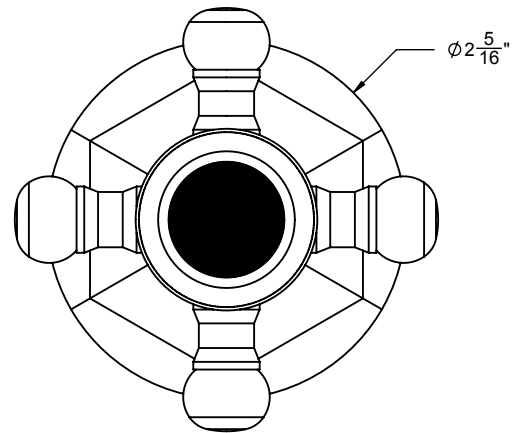
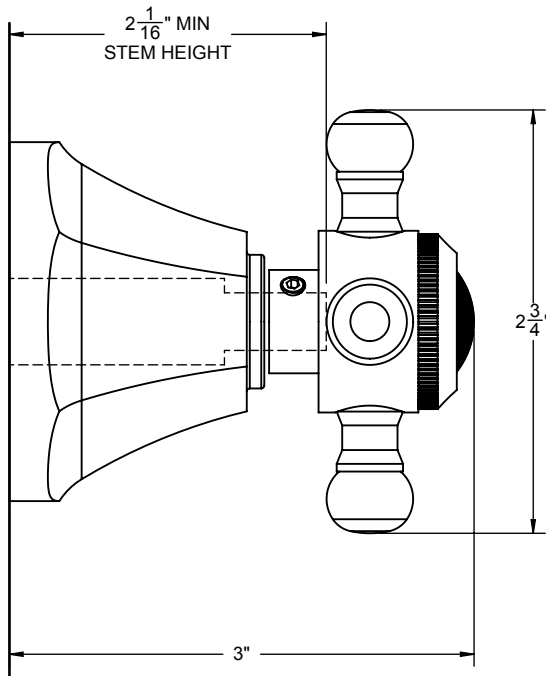
- Base diameter 2-5/16"
- Use for wall stop, wall diverter or deck diverter
- Rough valve (50W-R, 75-W-R, WDV-R, DDV-R) sold separately
- All brass construction
- Over 30 finishes including 13 PVD finishes



### Codes/Standards Applicable

Product meets or exceeds the following:

- ASME A112.18.1/CSA B125.1



| THROUGH-HOLE SPECIFICATIONS |             |          |
|-----------------------------|-------------|----------|
| MIN                         | RECOMMENDED | MAX      |
| Ø 1"                        | Ø 1-3/8"    | Ø 1-1/2" |