



California Faucets®

STYLEFLOW® AIR IKO

MULTI-FUNCTION CONTEMPORARY HANDSHOWER

Features

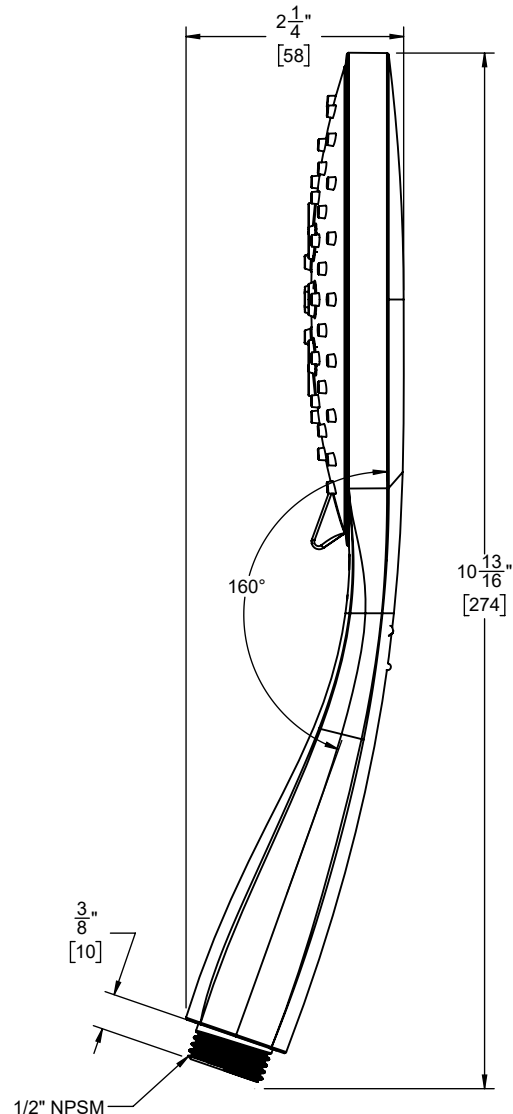
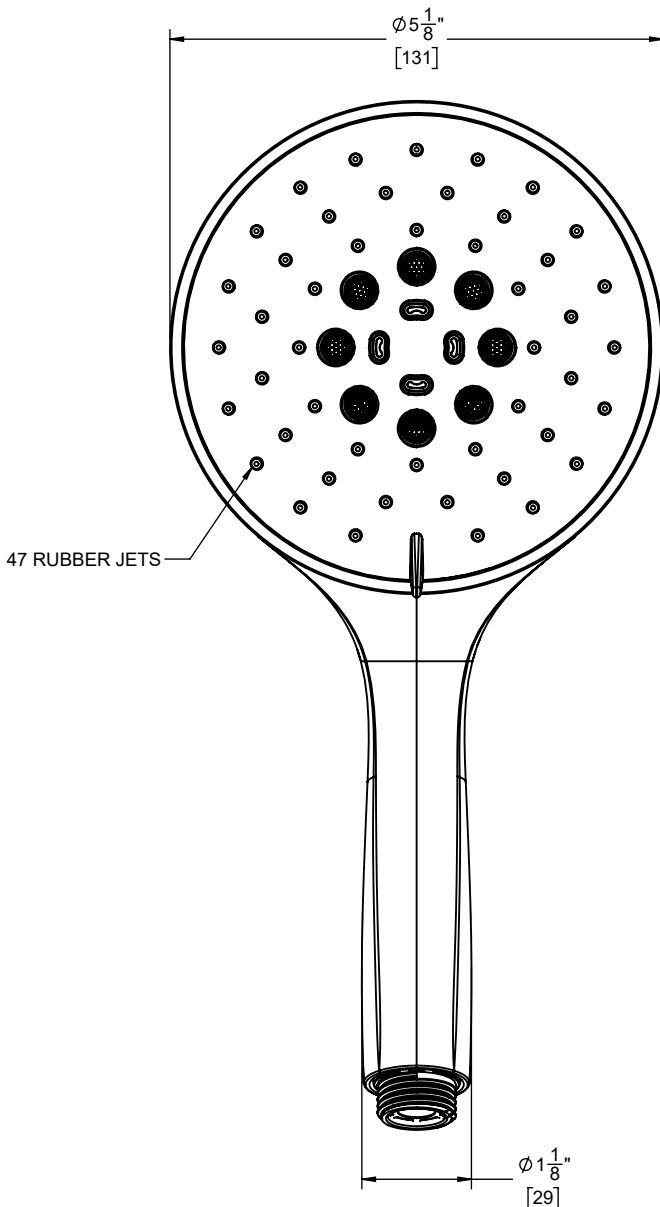
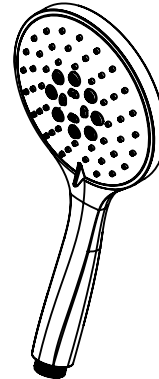
- 1/2" MIP inlet
- Air induction technology
- 3 function handshower: rain, air, & massage
- Self cleaning rubber jets
- ABS body
- 5-1/8" diameter, gray face
- Replace .FR with desired max flow rate:
 HS-553.25 for 2.5 gpm (9.5 L/min)
 HS-553.20 for 2.0 gpm (7.8 L/min)
 HS-553.18 for 1.8 gpm (6.8 L/min)

Codes/Standards Applicable

Product meets or exceeds the following:

- ASME A112.18.1/CSA B125.1
- CEC (1.8 gpm)
- DOE (2.5, 2.0, & 1.8 gpm)
- Commonwealth of MA
- EPA WaterSense (2.0 gpm)

HS-553.25
HS-553.20
HS-553.18



SPECIFICATIONS SUBJECT TO CHANGE WITHOUT NOTICE

DIMENSIONS SHOWN TO NEAREST 1/16"
[DIMENSIONS SHOWN TO NEAREST 1MM]