



California Faucets®

Descanso®

INDUSTRIAL DECK MOUNT TUB FILLER WITH HANDSHOWER

Features

- Over 28 finishes including 13 PVD finishes
- All brass construction
- Tub filler maximum flow rate: 15 gpm (56.8 L/min) at 60 psi
- Handshower flow rate: 2.0 gpm (7.6 L/min) or 1.8 gpm (6.8 L/min)
- Handshower bracket may be placed on COLD or HOT side of body
- 1/4 turn ceramic disc cartridges

1008-XX.20
1008-XX.18

Codes/Standards Applicable

Product meets or exceeds the following:

- ASME A112.18.1/CSA B125.1
- CEC (1.8 gpm) / DOE (2.0 & 1.8 gpm)
- Commonwealth of MA
- EPA WaterSense handshower (2.0 gpm)
- ADA compliant (with lever handles)
- Local codes may require installation of an upstream tempering valve

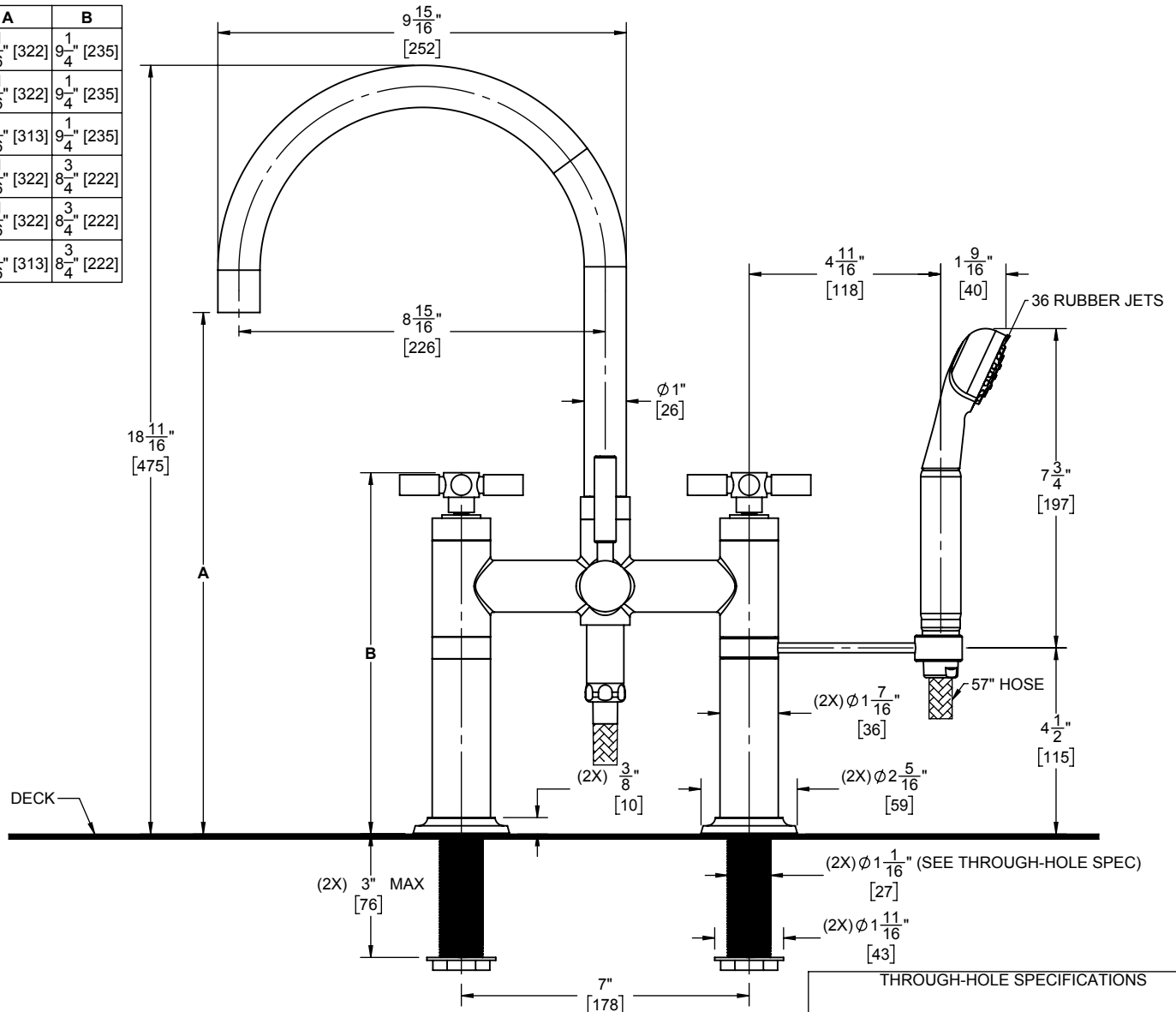


1008-30X.FR SHOWN



XX = DENOTES HANDLE SERIES

HANDLE	A	B
30	12 ¹¹ / ₁₆ " [322]	9 ¹ / ₄ " [235]
30F	12 ¹¹ / ₁₆ " [322]	9 ¹ / ₄ " [235]
30K	12 ⁵ / ₁₆ " [313]	9 ¹ / ₄ " [235]
30X	12 ¹¹ / ₁₆ " [322]	8 ³ / ₄ " [222]
30XF	12 ¹¹ / ₁₆ " [322]	8 ³ / ₄ " [222]
30XK	12 ⁵ / ₁₆ " [313]	8 ³ / ₄ " [222]



THROUGH-HOLE SPECIFICATIONS		
MIN	RECOMMENDED	MAX
Ø 1-1/16" [27]	Ø 1-5/16" [33]	Ø 1-3/8" [35]

ALL DIMENSIONS SHOWN TO NEAREST 1/16"
[ALL DIMENSIONS SHOWN TO NEAREST 1MM]

SPECIFICATIONS SUBJECT TO CHANGE WITHOUT NOTICE