



# S19-2350 (EFX120) Emergency Fixture Thermostatic Mixing Valves

- ASSE 1071 Certified
- Meets ANSI Z358.1
- Reliable Liquid-Filled Thermostat with 10-Year Warranty
- Integral Strainer Checkstops on Inlets
- Adjustable Set Point within Temperature Range
- Accurate Temperature Control to within  $\pm 3^\circ$  F
- Built-in Cold Water Bypass, Assuring Cold Flow
- Positive Shutoff of Hot Supply When Cold Supply is Lost
- Easy Installation and Serviceability
- Dirt and Lime Resistant
- Dial Thermometer
- Factory Assembled and Tested
- Universal Mounting Capability
- Cabinet Features:
  - 18 Gauge Body & Door
  - Left-Hand Hinge
  - Cylinder Lock
  - Inlet/Outlet Knock-Out Holes for Mounting Flexibility
  - Stainless Steel or Baked White Enamel Finishes
  - Surface-Mounted or Recessed Style

## Valve Specifications

### Maximum Operating Pressure

125 PSI (860 kPa)

### Maximum Inlet Temperature

180° F (82° C)

### Recommended Inlet Temperature

120° F (49° C) – 140° F (60° C)

### Temperature Range

**Std.** 65° F (18° C) to 90° F (32° C)

### Set Point

85° F (29° C)

### Flow Capacities – GPM

Model	Min. Flow	Pressure Drop – PSI						
		5	10	15	20	30	45	60
<b>S19-2350</b>	3.0	28.4	47.7	61.8	73.5	79.0	112.4	129.8

Minimum cold water bypass at 30 PSID: 23.2 GPM

### Flow Capacities – L/Min

Model	Min. Flow	Pressure Drop – Bar						
		.5	1.0	1.5	2.0	2.5	3.0	4.0
<b>S19-2350</b>	11.4	108.0	181.0	234.0	278.0	299.0	426.0	491.0

Minimum cold water bypass at 2.1 Bar: 87.8 L/Min



*This plumbing fixture is not intended to dispense water for human consumption through drinking or for preparation of food or beverages.*

## Code Compliance and Certifications

ASSE 1071 & UPC certified.



Engineer's Approval \_\_\_\_\_



## Valve Model

### Model

**S19-2350**

### Description

Emergency Fixture Thermostatic Mixing Valve

## Configurable Valve Model (select one)

### Model

**EFX120**

### Description

EFX120 Thermostatic Mixing Valve with Options

**CAB-EFX120**

EFX120 Thermostatic Mixing Valve **Cabinet Only**

## Optional Valve Selections

### Finish

**R**

Rough Brass (standard)

**C**

Chrome Plated

### Bracket

**B**

Wall Mounting Bracket

**0**

None

### Piped Assembly

**P**

Piped Assembly with Inlet and Outlet Shutoff

**N\***

Piped Assembly only

**0**

None

## Optional Cabinet Selections

### Cabinets (includes bracket)

**SS**

Surface Mount Stainless Steel

**RS**

Recessed Stainless Steel

**SE**

Surface Mount White Enamel

**RE**

Recessed White Enamel

**0**

None

### Window

**W**

Plexi-Glass Window in Door

**0**

None

\*Requires cabinet selection

## Application

For two or more  
[Drench Showers or Combination Fixtures](#)



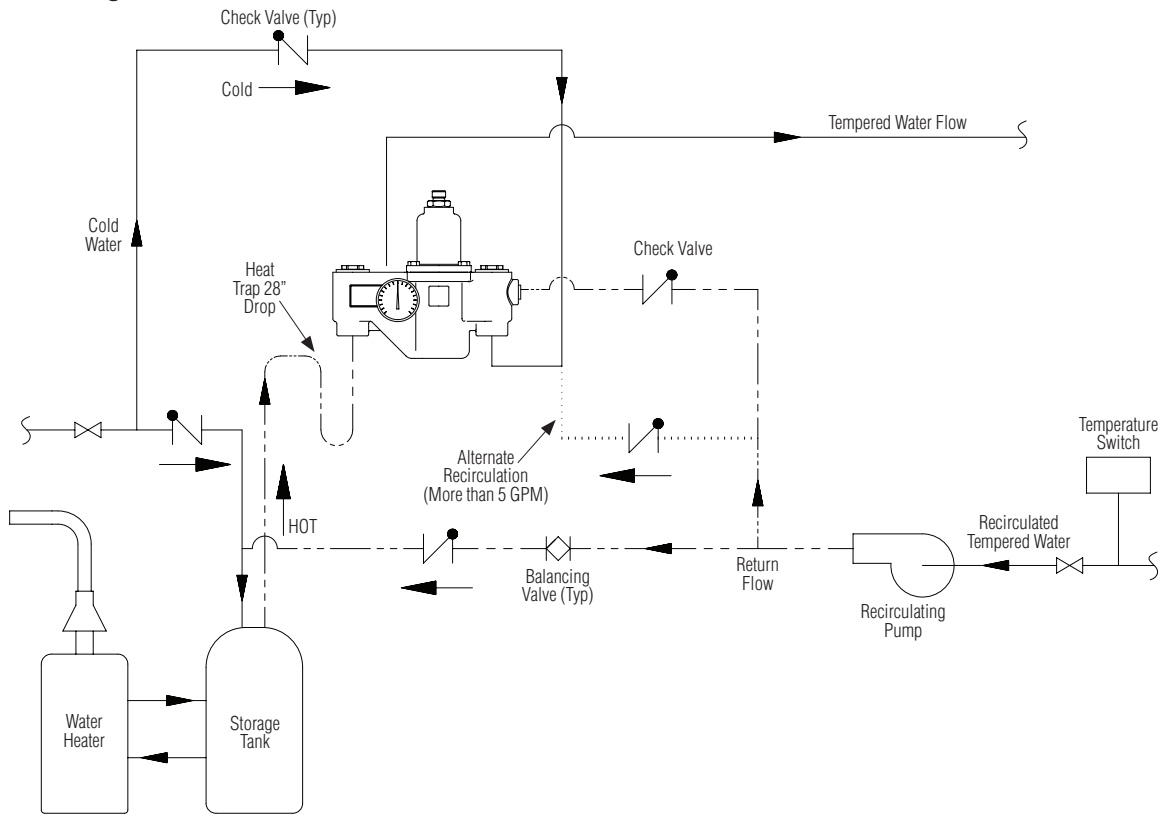
Complies with ANSI/ISEA Z358.1



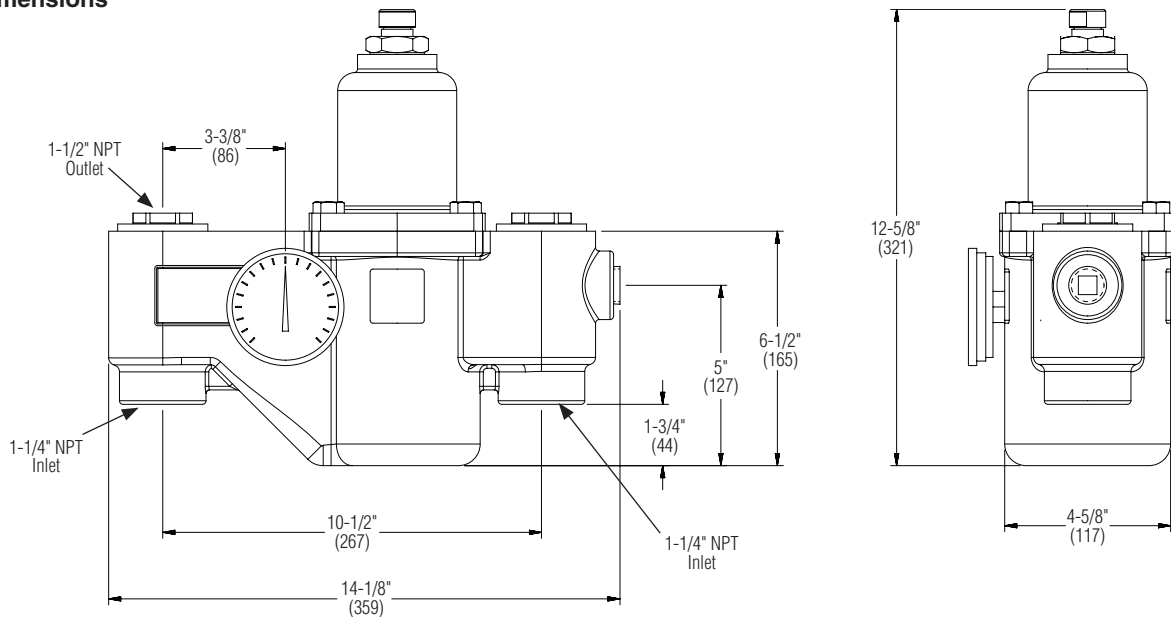
# S19-2350 (EFX120) Emergency Fixture Thermostatic Mixing Valves

## Recirculation Diagram

(mm)



## Dimensions



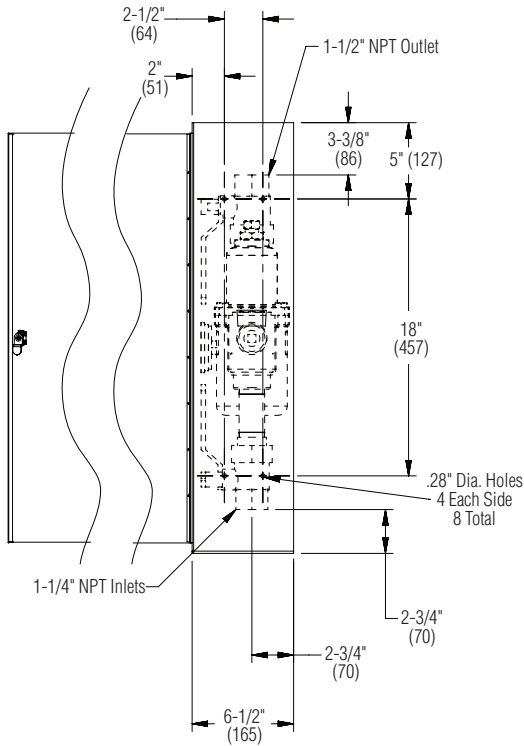


# S19-2350 (EFX120) Emergency Fixture Thermostatic Mixing Valves

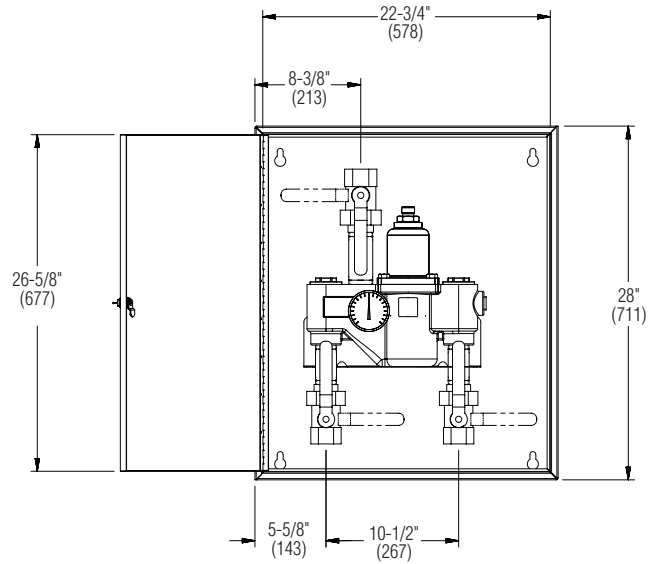
Dimensions — S19-2350 Surface-Mounted Cabinet

(mm)

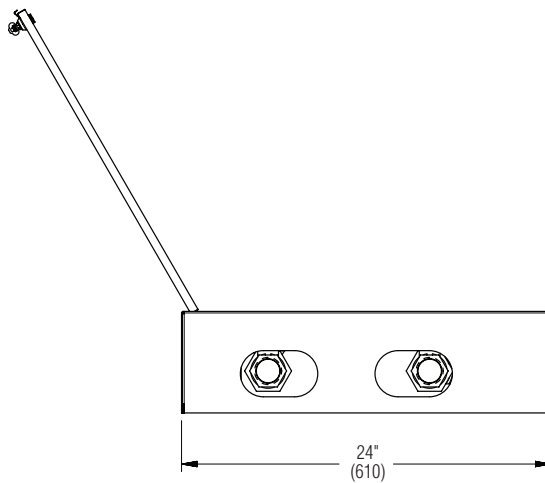
Side View



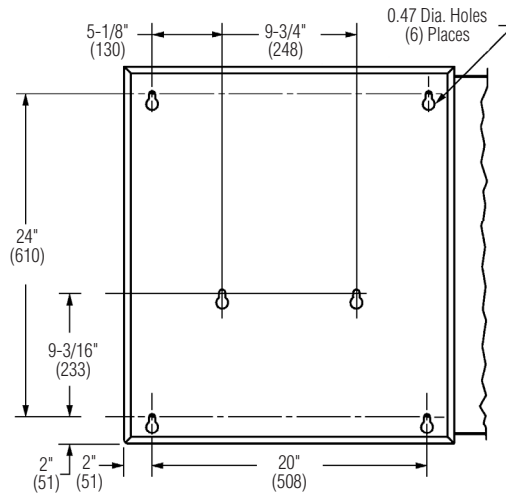
Front View



Bottom View



Mounting Hole Locations

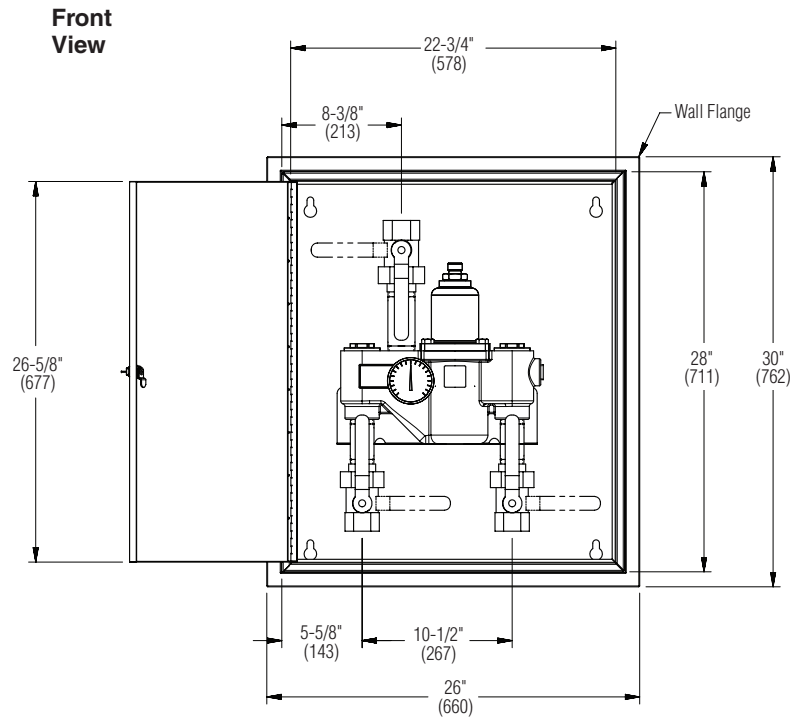




# S19-2350 (EFX120) Emergency Fixture Thermostatic Mixing Valves

Dimensions — S19-2350 Recessed Cabinet

(mm)



**Side View**

