

NEW

SCALA 6638

66" x 38" x 25" (FREESTANDING)

Scala, this freestanding bath has an aesthetic refinement that translates into a contemporary version of the Rococo style bathtub on lion's feet.



PRODUCT NO.

MODEL	TMU	TUB
Freestanding	BSCMOF00T-XX	BSCMOF00N-XX

THERMOMASSEUR (TMU) Hydro-thermo massage • Air jet system	\$
Jets	38
1 heated backrest & headrest	Included
MiaMulti® Control*	Included
Geysair®	Included
AromaCloud®	N/A
Illuzio Chromatherapy BCHRO6	\$
2 nd heated backrest (WTS-1 zone) BSHB	\$

TUB Soaker	\$
AromaCloud®	N/A
Illuzio Chromatherapy BCHRO6	\$
WarmTouchShell® BWTS	\$
DOT control	Included with therapy
2 nd WarmTouchShell® BWTS2	\$

FEATURES

Installation type	Freestanding		
No. of bathers	2	Imp. gallons	51
US gallons	62		

INTEGRATED WASTE & OVERFLOW BOVERINI-XX

White 01, Chrome 07, Brushed Nickel 09, Polished Nickel 10	Installed & Included
--	----------------------

FEET (specify finish) BFEETSC-XX

Chrome 07, Brushed Nickel 09, Polished Nickel 10	Installed & Included
--	----------------------

STANDARD COLOR

 White 01	Included
--	----------

OPTIONS (UPCHARGE APPLICABLE)

FINISH

UltraVelour Matte Finish (White only) BVEL	\$
--	----

ARMRESTS (2) BGBSC-XX

Chrome 07, Brushed Nickel 09, Polished Nickel 10	\$
Matte Black 19, Black Chrome 12, Satin Brass 18	\$

INTEGRATED WASTE & OVERFLOW BOVERINI-XX

Matte Black 19, Black Chrome 12, Satin Brass 18	\$
---	----

FEET (specify finish) BFEETSC-XX


Matte Black 19, Black Chrome 12, Satin Brass 18	\$
---	----

ISLAND TUB DRAIN™**

Island Tub Drain™ BISLDD	\$
Cast Iron Island Tub Drain™ BISLDDCI	\$

IF REQUIRED BY CONSTRUCTION CODE OR INSTALLED WITH ITD

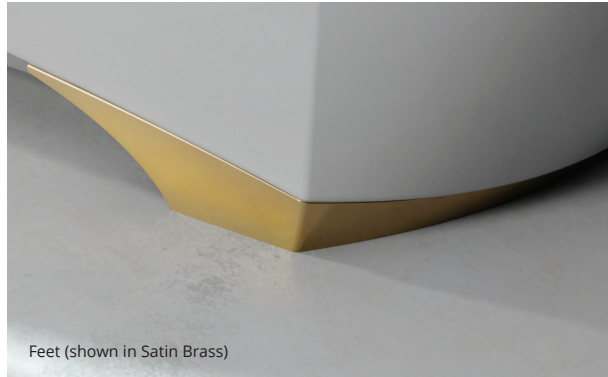
Brass waste & overflow kit BDRCOB	\$
Brass waste kit BDRCB	\$

 Don't forget that this model is available in **White only**. Don't forget to specify the **finish of the integrated waste & overflow, feet and armrests**.
* Control and faucet cannot be installed on the deck of the bath.
** An Island Tub Drain™ is required when there is **no access under the bath**.

TOTAL PRICE \$



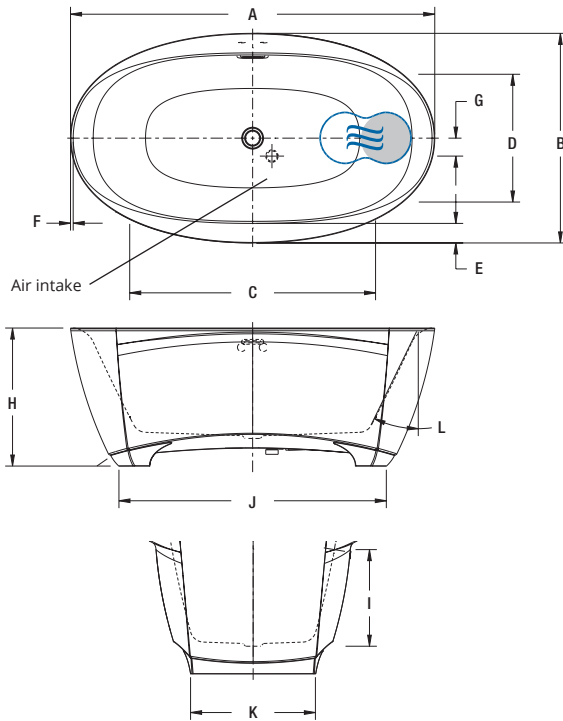
Armrest (2), offered in option



Feet (shown in Satin Brass)

SCALA 6638 (FREESTANDING)

INSTALLATION



LETTER	DESCRIPTION	MEASURE
A	Total length	66"
B	Total width	38"
C	Bathing well length	44 1/2"
D	Bathing well width	23 1/8"
E	Deck width at sides	3 1/2"
F	Deck width at ends	1/2"
G	Center waste to air intake	3 1/4"
H	Total height to headrest	25"
I	Maximum water level	17 1/2"
J	Base length	48 3/8"
K	Base width	22 5/8"
L	Slope of backrest	26°

- Indicates heated backrest (TMU)
- ☁ Indicates WarmTouchShell® position (TUB)

TECHNICAL SPECIFICATIONS

Hot water supply required	Should be 70% of water capacity of TUB or greater.
Turbine	Access to the pump must be at least 18" x 22". Standard connection is 20 A, 120 V, 60 Hz , dedicated line with a Ground-Fault Circuit Interrupter (GFCI). For any additional option, a second line is needed 15 A, 120 V, 60 Hz , dedicated line with a GFCI. Air vent necessary: 2" x 4" minimum.
Others	<ul style="list-style-type: none"> - Faucet must be freestanding or wall-mounted. - The turbine must be remotely installed. - TMU: Control must be wall-mounted. - TUB: DOT control will be installed on TUB.

Our products must be installed by certified professionals only and according to our Owner's Manual as well as federal, provincial/state and local building codes and regulations (www.bainultra.com/documentation/documentation).

Cutting template	# 90000077
Approx. shipping weight	250 lbs
Turbine power	550 W
Air heater	600 W
WARRANTY	
Controls-LED-Geysair*	5 years
Bath & turbine*	20 years

* Some restrictions apply | www.bainultra.com/warranty



The specifications shown indicate the outer edge dimension and the inside bathing capacity dimension measured at air jets' height. The manufacturer accepts a 1/4" [0.64 cm] variance. There are variations on each product and specifications are subject to change as we improve upon our product as required. The dimensions needed for site preparation and structure building will differ. BainUltra® assumes no responsibility for preparatory work done prior to the product being on site.