

BURKE WALL-HUNG BASIN

CAT. NO
4-146X



Faucet not included



Mounting hardware

W: 24-3/8"
D: 18-1/8"
H: 7-3/4"

Water depth 4-1/4" to overflow

Interior Dimensions:

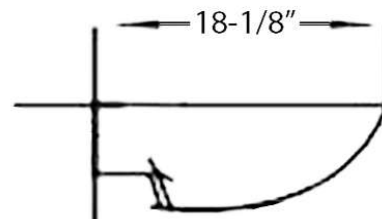
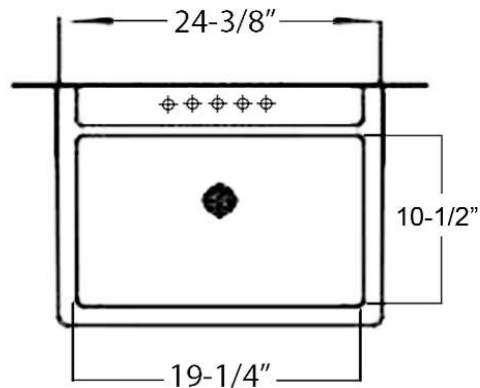
Basin interior:	19-1/4" x 10-1/2"
Basin depth:	7"
Faucet hole:	2"
Handle holes:	1-1/2"
Back of basin to center of faucet:	2-3/8"
Back of basin to center of drain:	7-5/8"
Mount holes cc:	8-1/4"

Features:

- ▶ Made of Vitreous China
- ▶ Available pre-drilled for single hole (**4-1461**), 4" centerset (**4-1464**), or 6" mini widespread faucet (**4-1466**)
- ▶ Overflow
- ▶ Decorative overflow cover included
- ▶ Mounting hardware included

Colors: WH White

Meets or exceeds the following specifications: ASME A112.19.2 2018 and CSA B45.1-18 for ceramic plumbing fixtures.



Dimensions of fixture are nominal and may vary within the range of tolerances established by ASME Standard A112.19.2. Dimensions and specifications subject to change without notice.