

**Cadet® Ovation® Chair Height
Elongated Complete Toilet**

760AA101

- Vitreous china
- Meets definition for HET (High Efficiency Toilet)
- High Efficiency (1.28 gpf/4.8 Lpf)
- Meets EPA WaterSense® criteria
- Stays clean longer with EverClean® surface inhibits the growth of stain and odor causing bacteria, mold and mildew on the surface
- Features the **Cadet® 3 Flushing System**
- 16-1/2" rim height for ADA accessible application
- Elongated siphon action jetted bowl
- Fully-glazed 2-1/8" trapway with 2" ball pass
- Generous 9" x 8" water surface area
- PowerWash® rim scrubs bowl with pressurized water every flush
- 12" (305mm) Rough-in
- Oversized 3" flush valve
- Chrome trip lever
- Speed Connect® tank-to-bowl coupling system
- Sanitary dam on bowl to reduce tank to bowl buildup, with four point tank stabilization
- Includes color-matched slow-close toilet seat and cover
- Includes wax ring gasket with closet bolts
- 2 color-matched bolt caps
- 100% factory flush tested
- Limited Lifetime warranty on Chinaware, 5 year warranty on mechanical parts, 1 year warranty on seat

Nominal Dimensions:

30-3/16" x 16-3/16" x 30-3/4"
(767 x 420 x 781 mm)

Compliance Certifications -

Meets or Exceeds the Following Specifications:

- ASME A112.19.2/CSA B45.1 for Vitreous China Fixtures
- US EPA WaterSense® Specification for HETs



SEE REVERSE FOR ADDITIONAL ROUGHING-IN DIMENSIONS

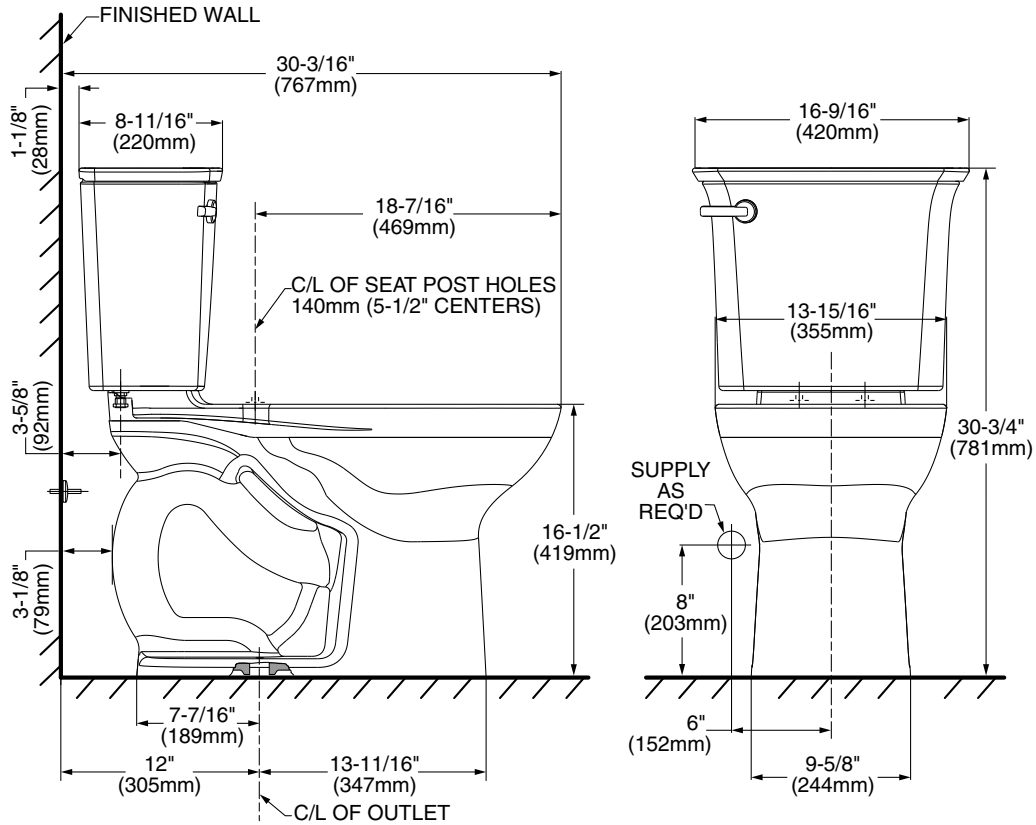
To Be Specified:

- Color: White
- Supply with stop:



MEETS THE AMERICANS WITH DISABILITIES ACT GUIDELINES AND ICC ANSI A117.1 REQUIREMENTS FOR ACCESSIBLE AND USABLE BUILDING FACILITIES-CHECK LOCAL CODES.





NOTES:

THIS TOILET IS DESIGNED TO ROUGH-IN AT A MINIMUM DIMENSION OF 305MM (12") FROM FINISHED WALL TO C/L OF OUTLET. SUPPLY NOT INCLUDED WITH FIXTURE AND MUST BE ORDERED SEPARATELY.
* DIMENSION SHOWN FOR LOCATION OF SUPPLY IS SUGGESTED.

IMPORTANT: Dimensions of fixtures are nominal and may vary within the range of tolerances established by ANSI Standard A112.19.2. These measurements are subject to change or cancellation. No responsibility is assumed for use of superseded or voided pages.