

Ultima® Selectronic® Exposed Toilet Flush Valve Diaphragm-Type Hard-Wired AC Power, Base Model



GENERAL DESCRIPTION:

Touchless Selectronic® Flush Valve for floor-mounted or wall-hung 1-1/2" top spud flushometer bowls.

PRODUCT FEATURES:

- **Automatic touchless operation** limits the spread of germs for a safer restroom
- **Programmable Selectronic® sensor**
- **DynaClean®** self-cleaning wiper spring technology significantly reduces maintenance and downtime
- **Wiper spring** cleans the refill orifice with every flush; preventing valve run-on from clogging
- **Premium EvoLast®** diaphragm material is chloramine-resistant to prevent premature deterioration and failure
- **State-of-the-Art Electronics** prevent ghost flushing
- **Fully Mechanical Manual Override Button** can flush the valve without power
- **Adjustable Sanitary Flush** cleans the fixture and maintains the trap seal
- **Detection range** can be adjusted manually or with optional remote control
- **Dezincification-resistant brass alloy** withstands the most severe water conditions
- **High back pressure vacuum breaker** prevents dripping
- **Adjustable tailpiece** for rough-in flexibility. Can be installed left or right handed
- **ADA compliant**

RECOMMENDED SPECIFICATION:

Touchless, sensor-operated toilet flush valve shall feature self-cleaning diaphragm valve with integral DynaClean® wiper spring in bypass orifice to prevent clogging and valve run-on. Advanced EvoLast® diaphragm material provides superior chlorine and chloramine resistance. Includes fully mechanical manual override that can flush the valve without power. Dezincification-resistant cast brass valve body with chrome finish. High back pressure vacuum breaker included. 1.1 gpf / 1.28 gpf / 1.6 gpf and 1.28 / 1.1 gpf flush valve shall be American Standard Model # 624B____.002.



MODEL NUMBER:

- 624B111.002** Base Model, 11-1/2" rough-in, 1.1 gpf/4.2 Lpf
For use with Hard-Wired AC or Multi-AC
- 624B121.002 SAME AS ABOVE**, 11-1/2" rough-in, 1.28 gpf/4.8 Lpf
- 624B161.002 SAME AS ABOVE**, 11-1/2" rough-in, 1.6 gpf/6.0 Lpf
- 624B721.002 SAME AS ABOVE**, 11-1/2" rough-in, Dual flush 1.28 gpf/1.1 Lpf (4.8/4.2 Lpf)



INCLUDES:

- Inlet includes 1" sweat solder kit and angle stop with back flow protection and vandal-resistant cap.
- Outlet includes 1-1/2" high back pressure vacuum breaker with spud coupling and flange.

POWER KITS: (Must be Purchased Separately)

- PK00.HAC** Hard-Wired AC transformer and 10' extension cable
- PK00.MAC** Multi-AC adapter and 10' extension cable

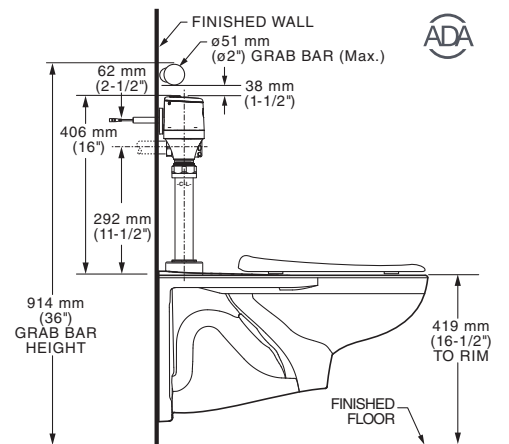
OPERATING PRESSURE:

25 psi (flowing) - 80 psi (static)

FLOW REQUIREMENT:

25 gpm (94.6 L/min.)

ADA WATER CLOSET INSTALLATION: AFWALL® TOILET SHOWN

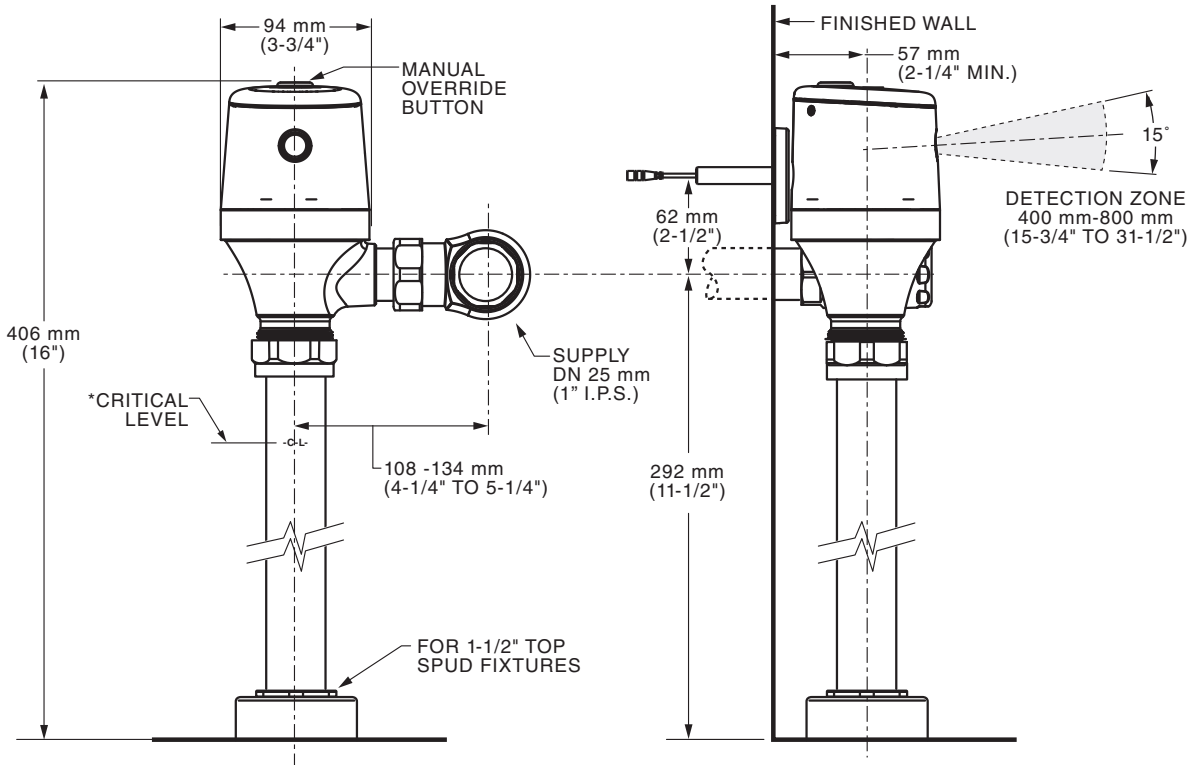


****Flush Valve can be installed to meet ADA 2010 Section 609 when installed as shown**

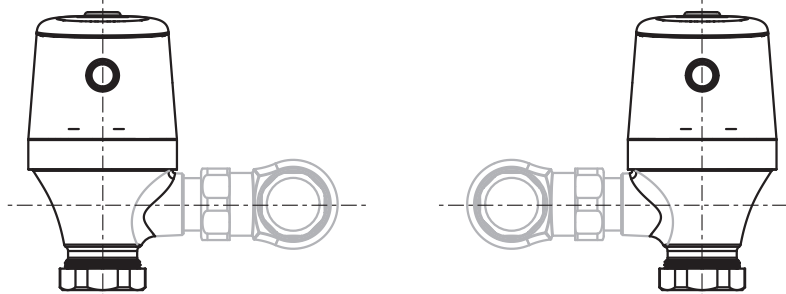
LISTINGS:

- ASSE 1037
- ANSI/ASME A112.19.2
- ADA Compliant

Roughing-in Dimensions



*Note: The Critical Line (-C-L) on Vacuum Breaker must typically be 6" (152 mm) above fixture. Consult Codes for details.



Right or Left Hand Installation