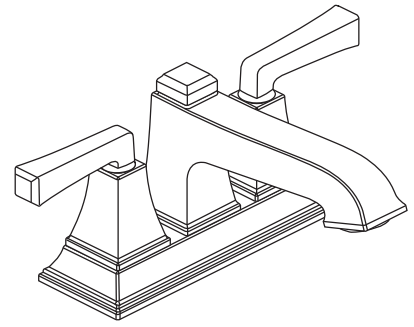


**TOWN SQUARE® S
CENTERSET LAVATORY FAUCET**

Thank you for selecting American Standard...
the benchmark of fine quality for over 140 years.

To ensure that your installation proceeds smoothly-please read
these instructions carefully before you begin.



Certified to comply with ANSI A112.18.1M

RECOMMENDED TOOLS



Screwdriver



Channel Locks



Adjustable Wrench



Tubing Cutter

1 INSTALL FAUCET

CAUTION Turn off hot and cold water
supplies before beginning.

- Apply a bead of PUTTY along the edge of the underside of the BODY. Insert FAUCET (1) through mounting holes of Sink or mounting surface. **Fig. A.**
- Assemble LOCKNUTS (2) onto SHANKS (3) from under side of Sink. Hand tighten firmly. **Fig. B.**

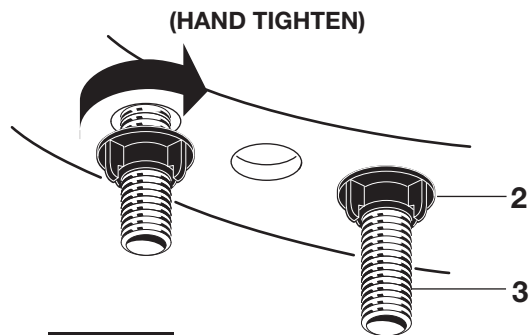
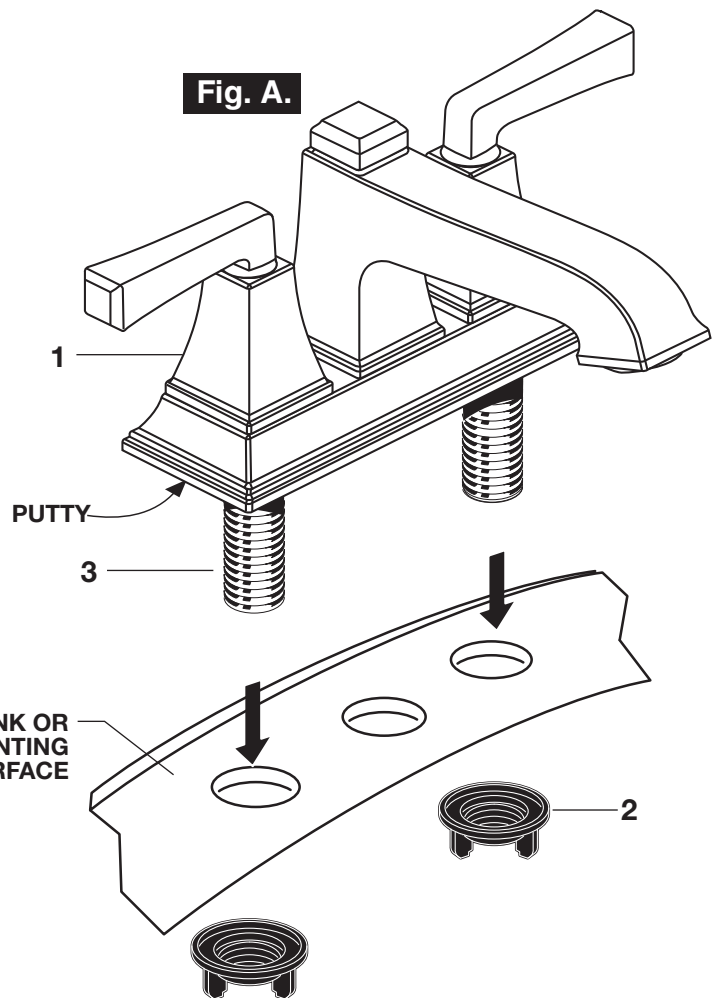
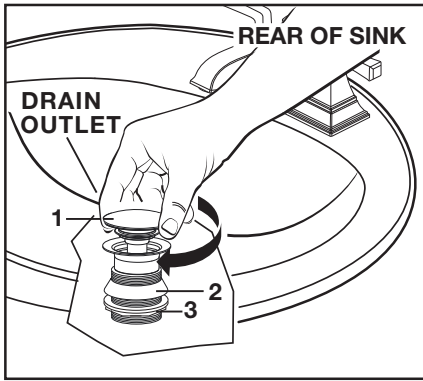


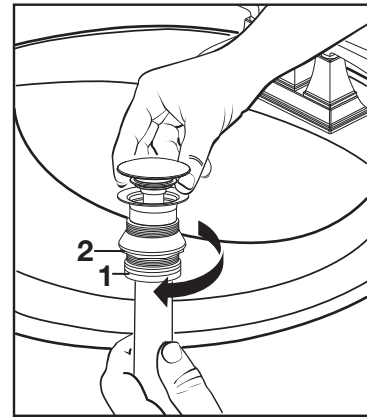
Fig. B.

2 INSTALL DRAIN FROM BELOW FIXTURE



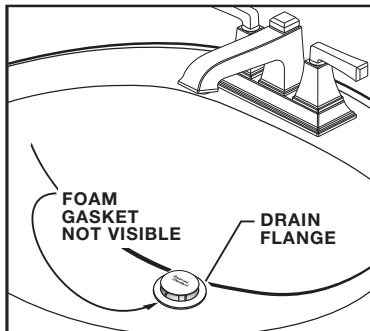
- Install DRAIN (1) by dropping it from the top of the sink.
 - From under side of SINK install GASKET (2) and MOUNTING NUT (3).
- Note:** Plumber's putty or caulk is recommended.

3



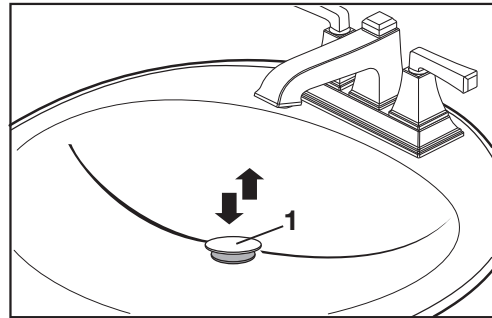
- Thread TAIL PIECE NUT (1) clockwise onto DRAIN BODY (2).

4 FLANGE GASKET AND POP-UP KNOB



- Check DRAIN FLANGE in SINK to ensure that FOAM GASKET (3) is fully compressed and not visible.

5 CHECK OPERATION OF POP-UP

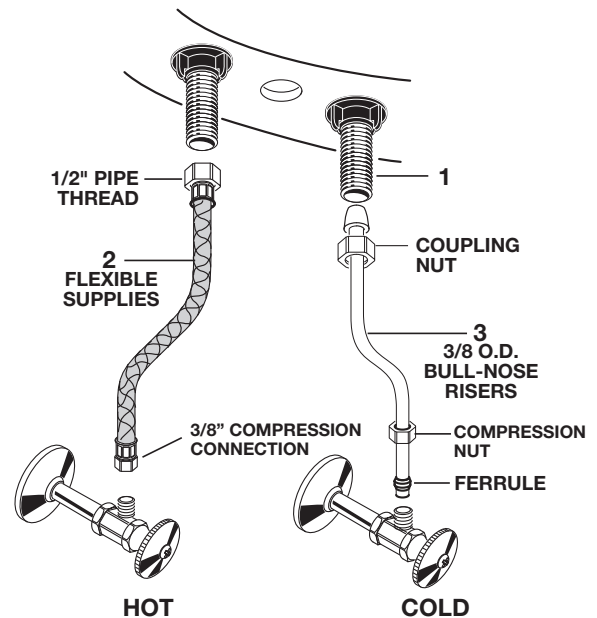


- Operate DRAIN STOPPER (1) to verify that it opens and closes.

6 MAKE WATER SUPPLY AND WASTE CONNECTIONS

NOTE: FLEXIBLE SUPPLIES OR BULL-NOSE RISERS MUST BE PURCHASED SEPARATELY.

- Connect water supply to FAUCET (1) with 1/2" IPS FLEXIBLE SUPPLIES (2) or 3/8" O.D. BULL-NOSE RISERS (3).
- Use adjustable wrench to tighten connections. Do not over tighten. Be careful not to kink copper supply when bending. Use tubing cutter to cut to proper length.
- Connect 1-1/4" O.D. tailpiece on POP-UP DRAIN to waste outlet.

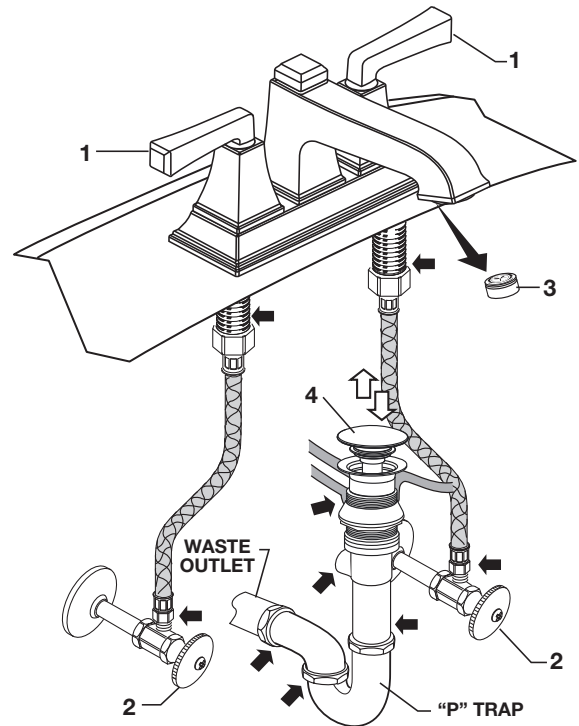


7 TEST INSTALLED FITTING

- With HANDLES (1) in OFF position, turn on WATER SUPPLIES (2) and check all connections for leaks. ➡
- Remove AERATOR (3).
- Operate both HANDLES (1) to flush water lines thoroughly.
- Replace AERATOR (3).

CHECK DRAIN CONNECTIONS

- Fill lavatory with water. Check that DRAIN STOPPER (4) makes a good seal and retains water in SINK.
- Check all drain connections and "P" trap for leaks. Tighten if necessary. ➡

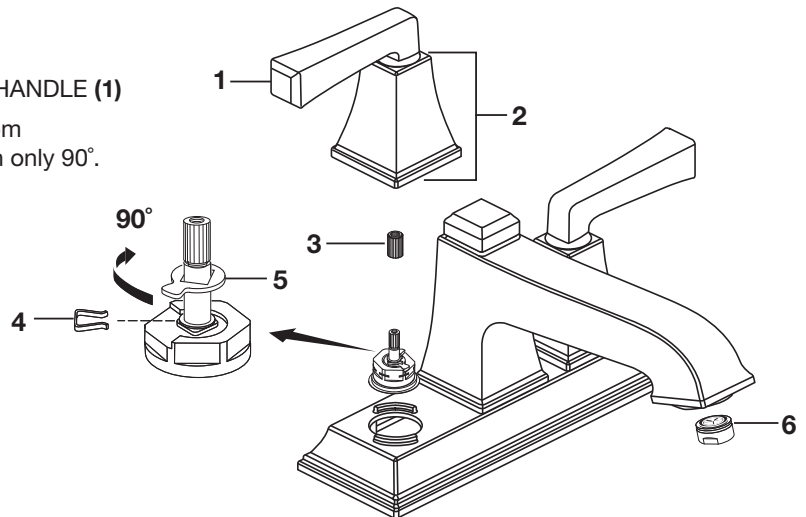


8 SERVICE

CAUTION Turn off hot and cold water supplies before beginning.

• To change direction of handle rotation, proceed as follows:

- Turn valve to OFF position.
- Remove ADAPTER (3) and SPRING CLIP (4).
- Lift STOP WASHER (5), turn 90° and replace.
- Replace SPRING CLIP (4).
- Replace ADAPTER (3), ESCUTCHEON (2) and HANDLE (1)
- If spout drips, operate handles several times from OFF to ON position. Do not force - handles turn only 90°.
- Remove AERATOR (6) and rinse clean if water flow becomes distorted.



9 CARE INSTRUCTIONS:

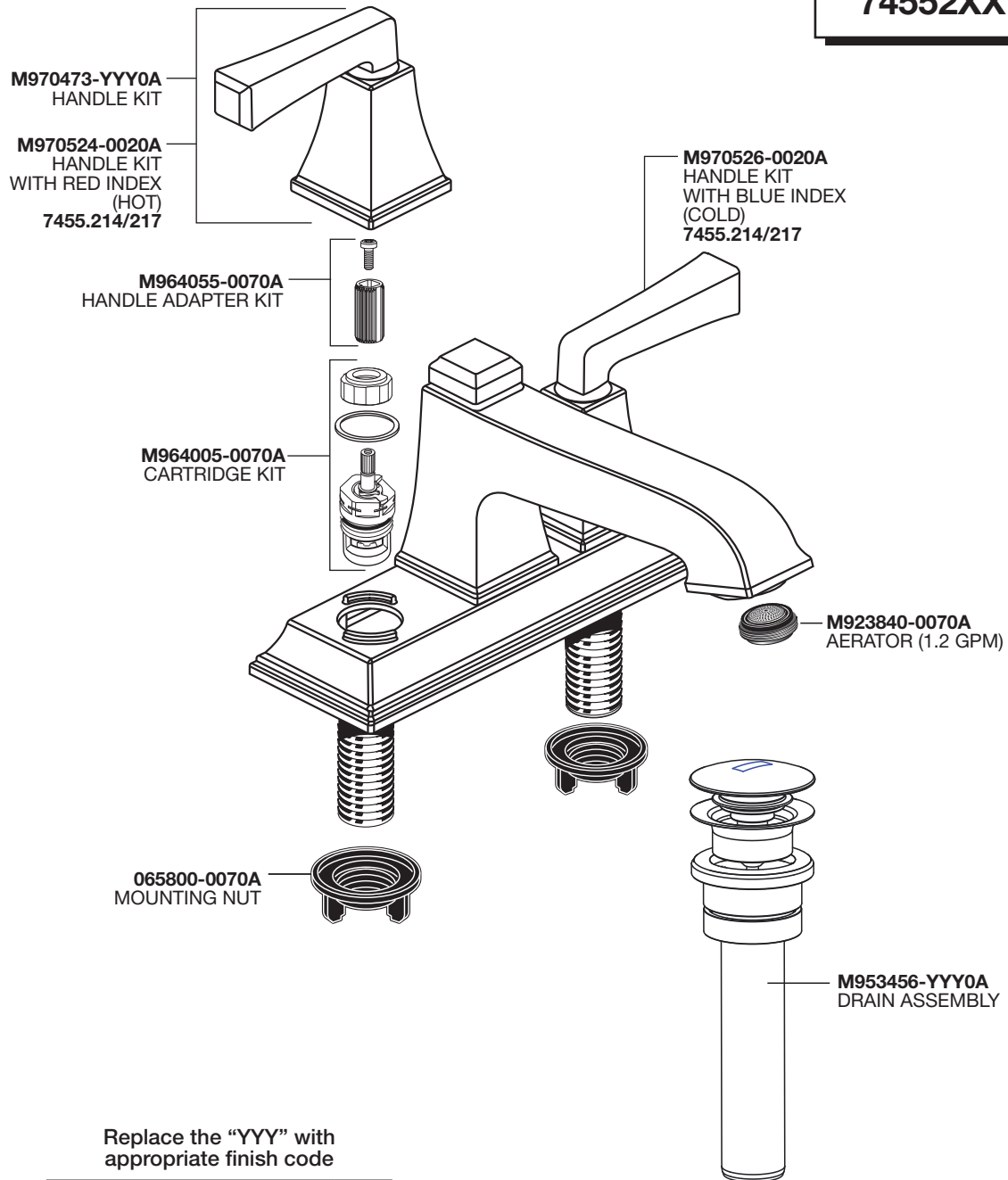
- DO:** SIMPLY RINSE THE PRODUCT CLEAN WITH CLEAR WATER. DRY WITH A SOFT COTTON FLANNEL CLOTH.
- DO NOT:** DO NOT CLEAN THE PRODUCT WITH SOAPS, ACID, POLISH, ABRASIVES, HARSH CLEANERS, OR A CLOTH WITH A COARSE SURFACE.

American Standard

TOWN SQUARE® S CENTERSET LAVATORY FAUCET

MODEL NUMBER

74552XX



Replace the "YYY" with appropriate finish code

POLISHED CHROME	002
POLISHED NICKEL	013
LEGACY BRONZE	278
BRUSHED NICKEL	295

HOT LINE FOR HELP

For toll-free information and answers to your questions, call:
1 (800) 442-1902

Mon. - Fri. 8:00 a.m. to 8:00 p.m. EST

Saturday 10:00 a.m. to 4:00 p.m. EST

IN CANADA 1-800-387-0369

(TORONTO 1-905-306-1093)

Weekdays 8:00 a.m. to 7:00 p.m. EST

IN MEXICO 01-800-839-1200



PART OF LIXIL