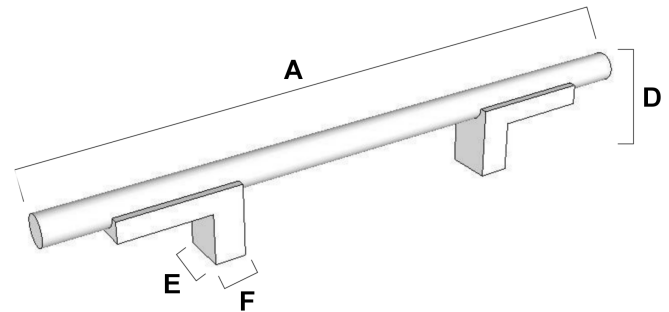


SPECIFICATIONS

**VITA BELLA
PULLS**



FEATURES

Transitional styling
Multiple finishes
Concealed installation

WARRANTY

Limited lifetime

FINISHES

Matte Black (MB)
Champagne (CHP)
Matte Nickel (MN)
Champagne/Matte Black (CHP/MB)
Matte Nickel/Matte Black (MN/MB)

MATERIAL

Aluminum

Item#	A	B	C	D	E (L)	F (W)
A2803-3	7 21/64"	3"	5/16"	1 1/4"	5/16"	9/16"
A2803-35	7 53/64"	3 1/2"	5/16"	1 1/4"	5/16"	9/16"
A2803-4	8 21/64"	4"	5/16"	1 1/4"	5/16"	9/16"
A2803-6	10 21/64"	6"	5/16"	1 1/4"	5/16"	9/16"
A2803-8	12 21/64"	8"	5/16"	1 1/4"	5/16"	9/16"
A2803-12	16 21/64"	12"	5/16"	1 1/4"	5/16"	9/16"
A2803-14	18 21/64"	14"	5/16"	1 1/4"	5/16"	9/16"

KEY:

- A - Overall Length
- B - Center to Center
- C - Width
- D - Projection
- E - Mount Length
- F - Mount Width

NOTE: Dimensions and specifications are subject to change without notice.