



# K-58 8" SWING SPOUT DECK MOUNT FAUCET WITH SPRAY

Conforms To NSF 61/9 Lead Free Requirements



Item #: \_\_\_\_\_ Qty #: \_\_\_\_\_  
 Model #: \_\_\_\_\_  
 Project #: \_\_\_\_\_

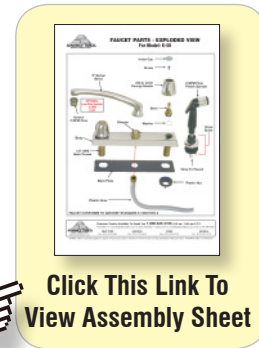
**FEATURES:**

- 8" swing spout with Separate Sprayer.
- 8" O.C. water supply.
- Canopy style handles.
- Colored hot & cold Indexes.
- 1.0 GPM/3.8 LPM Aerator. 60 PSI.

**MATERIAL:**

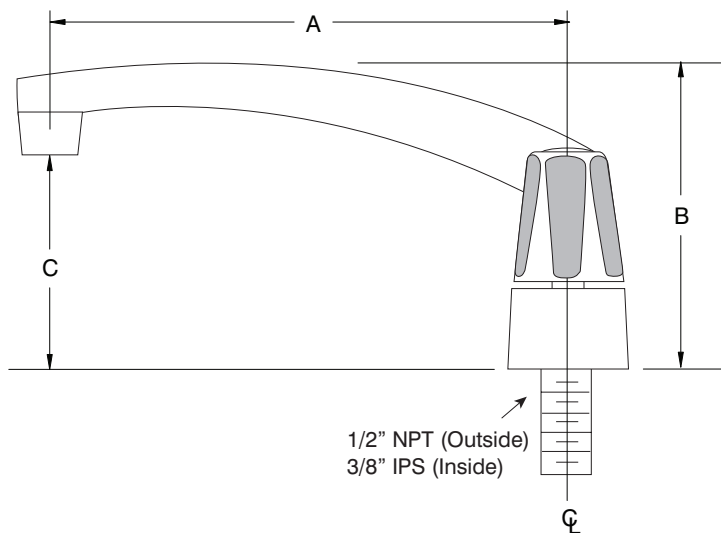
- Brass chrome plated body & spout.
- Chrome plated handles.

FAUCET AERATOR CONFORM TO  
 ASTM.A112.18.1M • 1.0 GPM/3.8 LP  
 THREAD: 55/64 - 27 FEMALE



Click This Link To  
View Assembly Sheet

## DIMENSIONS and SPECIFICATIONS



A Length	B Height	C	On Center Dimensions
8"	3 1/2"	2 3/16"	8" O.C.

**WARNING:**

Faucet(s) on this page may expose you to chemicals, including lead, that are known to the State of California to cause cancer or birth defects or other reproductive harm. For more Info., visit [www.p65warnings.ca.gov](http://www.p65warnings.ca.gov).



Customer Service Available To Assist You **1-800-645-3166** 8:30 am - 7:00 pm E.S.T.

For Orders & Customer Service:  
 Email: [customer@advancetabco.com](mailto:customer@advancetabco.com) or Fax: 631-242-6900

For Smart Fabrication™ Quotes:  
 Email: [smartfab@advancetabco.com](mailto:smartfab@advancetabco.com) or Fax: 631-586-2933