

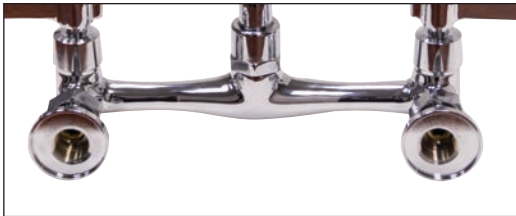


# K-101 8" SWING SPOUT SPLASH MOUNT FAUCET

Conforms To NSF 61/9 Lead Free Requirements



**FAUCET AERATOR CONFORM TO  
ASTM.A112.18.1M • 1.5 GPM/5.7 LP  
THREAD: 55/64 - 27 FEMALE**



**BACK VIEW  
1/2" NPT(INSIDE THREAD)**

Item #: \_\_\_\_\_ Qty #: \_\_\_\_\_  
 Model #: \_\_\_\_\_  
 Project #: \_\_\_\_\_

### FEATURES:

- 8" swing spout.
- 8" O.C. water supply.
- Quarter-turn wedge style handles.
- Colored hot & cold Indexes.
- 1.5 GPM/5.7 LPM Aerator. 60 PSI.

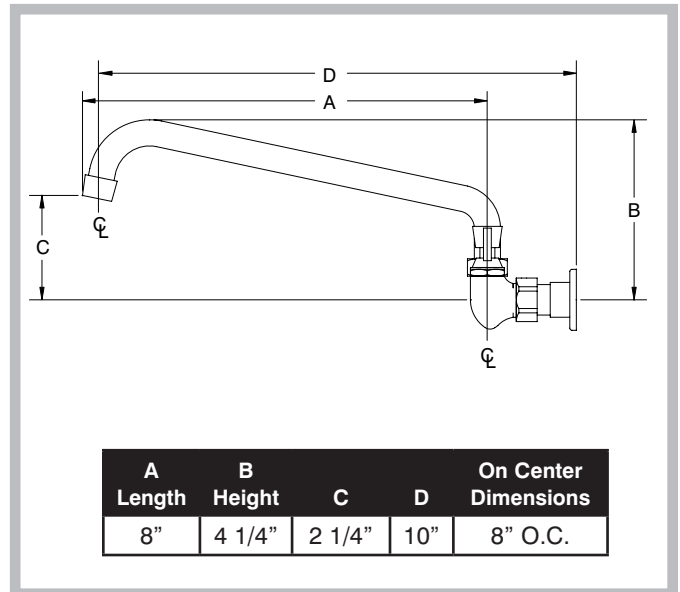
### MATERIAL:

- Brass chrome plated body & spout.
- Chrome plated handles.



**Click This Link To  
View Assembly Sheet**

## DIMENSIONS and SPECIFICATIONS



### Options & Accessories

#### Replacement Spout For K-101 Faucet

8" Swing Spout Only.

**K-1SP**



#### Low Flow Aerator

.5 GPM

**K-08**



#### Faucet Repair Kit\* K-00B (Set of 2)

Includes 2 Cartridges and 2 Handles  
With Red & Blue Indexes



#### Splash Mount Faucet Mounting Kit

**K-06**



#### Wrist Handles\* K-316-LU (Set of 2)

For a Complete faucet with Wrist  
Handles, See our **K-316** Spec Sheet.



*\*Can Only Be Used On Faucets Purchased After January 2016.  
For Older Faucets, Consult Customer Service.*

### **WARNING:**

Faucet(s) on this page may expose you to chemicals, including lead, that are known to the State of California to cause cancer or birth defects or other reproductive harm. For more Info., visit [www.p65warnings.ca.gov](http://www.p65warnings.ca.gov).



**Customer Service Available To Assist You 1-800-645-3166 8:30 am - 7:00 pm E.S.T.**

For Orders & Customer Service:

Email: [customer@advancetabco.com](mailto:customer@advancetabco.com) or Fax: 631-242-6900

For Smart Fabrication™ Quotes:

Email: [smartfab@advancetabco.com](mailto:smartfab@advancetabco.com) or Fax: 631-586-2933